

ITEM# \_\_\_\_\_

PROJECT \_\_\_\_\_

DATE \_\_\_\_\_

## 12 Cup CDBCF Automatic Coffee Brewer with Pourover



### Model CDBCFPA

(2 top warmers)

(decanters sold separately)

Dimensions: 20.9" H x 8.5" W x 17.8" D  
(53.1cm H x 21.6cm W x 45.2cm D)

### Features

#### Automatic CDBCF Coffee Brewers

- Large 200 oz. (5.9 litres) tank provides back-to-back brewing capacity.
- Adjusts automatically to varying water pressure.
- Quicker install saves up to 30 minutes. Pot level, cold brew lock-out and tank temperature set easily from advanced touch pad on front of machine.
- Electronic diagnostics and built in tank drain make service easier.
- Ensures coffee brew quality with cold brew lock out capability.
- SplashGard<sup>®</sup> funnel deflects hot liquids away from the hand.
- Coffee extraction controlled with pre-infusion or Pulse-Brew<sup>™</sup> and digital temperature control.
- Stainless steel funnel.
- Pourover feature.
- For information on additional international models, please contact the International Division at [international@bunn.com](mailto:international@bunn.com)

For current specification sheets and other information, go to [www.bunn.com](http://www.bunn.com).

*\*International model may vary in appearance.*

### Related Products

#### Easy Clear<sup>®</sup> EQ-17-TL

Product No. : 30200.1000

Dimensions:

12<sup>7</sup>/<sub>16</sub>" H x 2<sup>1</sup>/<sub>2</sub>" W x 3" D  
31.6 cm H x 6.35 cm W x 7.62 cm D



#### Paper Filter Pack

Product No. : 20115.0000

Packed per case: 1,000

Dimensions: 4<sup>1</sup>/<sub>4</sub>" Base x 2<sup>3</sup>/<sub>4</sub>" Sidewall  
10.8 cm Base x 6.98 cm Sidewall



#### 1GPR SS Portable Server on an RWS1 Warmer

1GPR Product No. : 12487.0001\*  
Power Cord: 01716.0000



RWS1A Product No. : 12203.0011

#### Easy Clear<sup>®</sup> ED-17-TL

Product No. : 30201.1001

Dimensions: 8<sup>1</sup>/<sub>4</sub>" H x 2<sup>5</sup>/<sub>16</sub>" Dia.  
20.95 cm H x 5.87 cm Dia.

#### Easy Pour<sup>®</sup> black decanter

Product No. : 06100.0101

Quantity: 1 (also packaged in quantities of 2, 3, 6, 12, & 24)



#### Easy Pour<sup>®</sup> orange decanter (for decaf)

Product No. : 06101.0101

Quantity: 1 (also packaged in quantities of 2, 3, 6, 12, & 24)



International Model

CDBCFP15

Agency Listing

CE

Patents Apply

5/05

A1.5

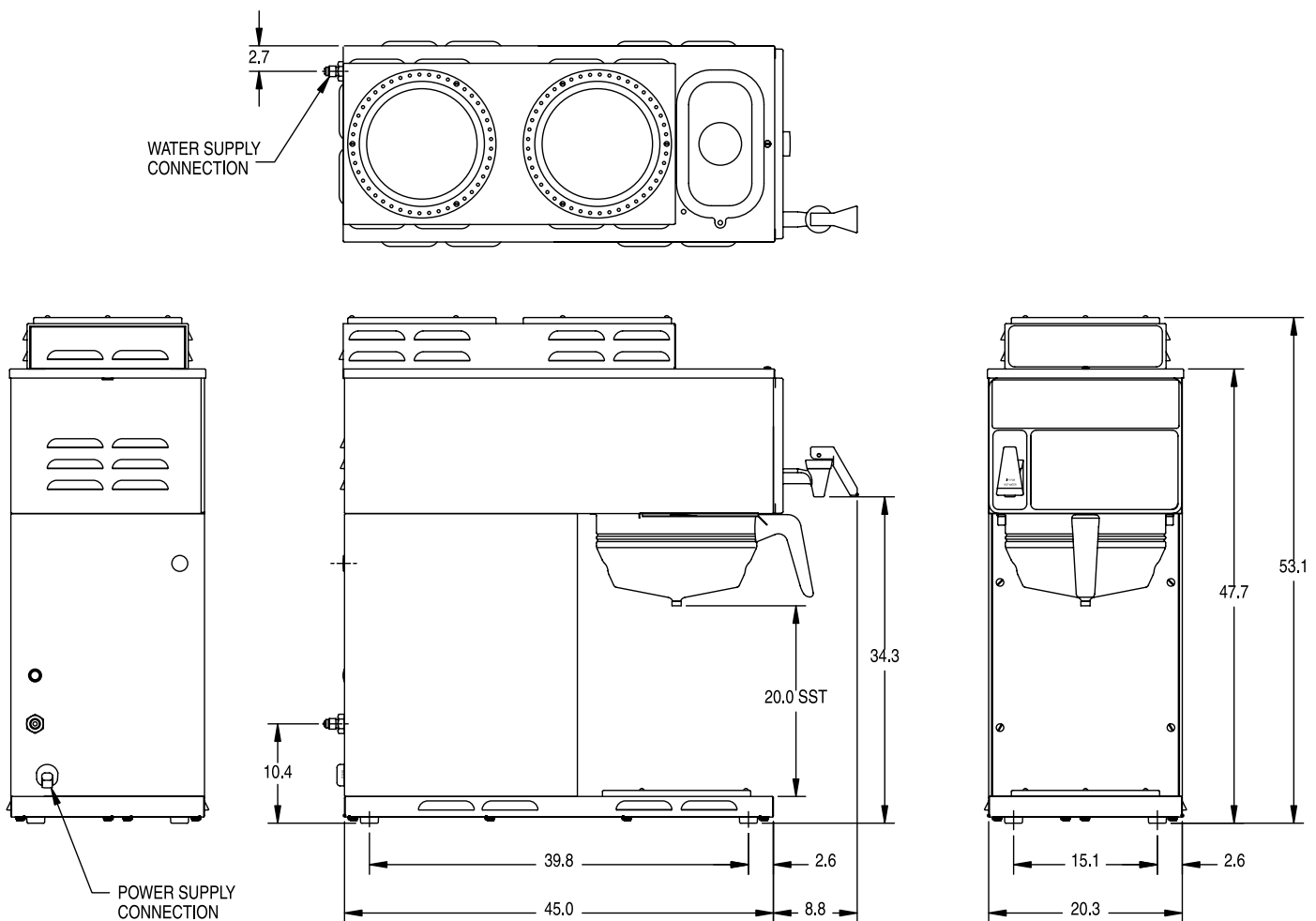
## Dimensions & Specifications

Model	Product #	Volts	Amps	Tank Heater Watts	Total Watts	Brewing Capacity	Cubic Measure	Shipping Weight	Cord Attached
CDBCFA (2 top)	28800.0316	230	9	1850	2100	4.5 gal./hr. (17 L/hr.)	4.3 ft <sup>3</sup> (.12 m <sup>3</sup> )	32 lbs. (14.5 kg)	Yes

**Brewing capacity:** based upon incoming water temp of 60°F / 15°C (140°F/60°C rise) per 1/2 gallon (1.9 L) brew time of 4 minutes.

**Electrical:** Model requires 2-wires plus ground service rated 230V, single phase, 50/60 Hz.

**Plumbing:** 20-90 psi (138-621 kPa). Machines supplied with 1/4" male flare fitting.



BUNN Corporation - 1400 Stevenson Drive Springfield, Illinois 62703 • USA • +1-217-529-6601 • Fax +1-217-529-2827 • [www.bunn.com](http://www.bunn.com)

BUNN® practices continuous product research and improvement. We reserve the right to change specifications and product design without notice. Such revisions do not entitle the buyer to corresponding changes, improvements, additions or replacements for previously purchased equipment.

**All dimensions shown in centimeters.** Bunn Corporation owns all copyrights relating to materials in this publication. Please contact Bunn Corporation to request permission to reproduce any portion of this publication.