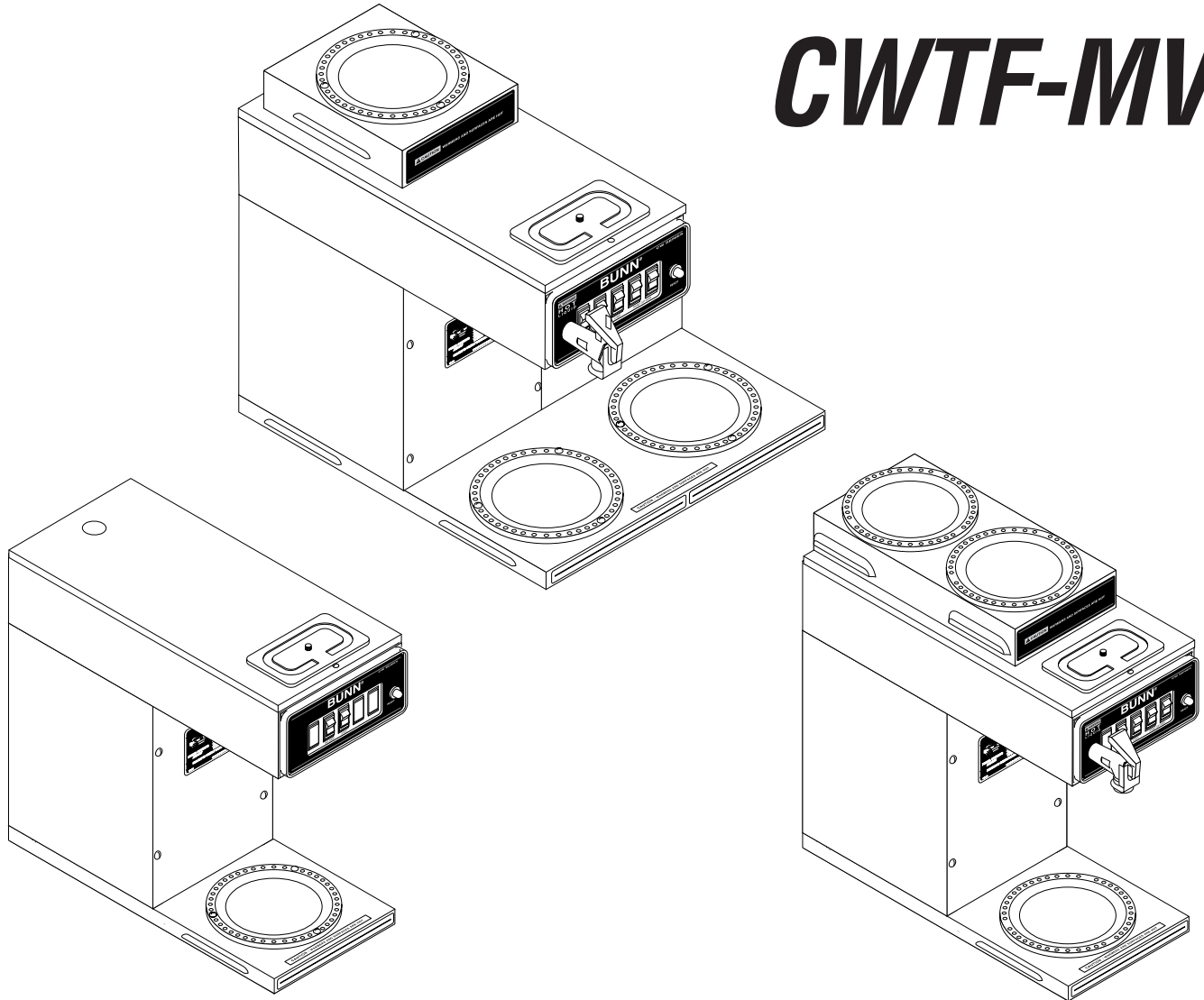


BUNN®

CWT *CWTF* *CWTF-MV*



ILLUSTRATED PARTS CATALOG

Designs, materials, weights, specifications, and dimensions for equipment or replacement parts are subject to change without notice.

BUNN-O-MATIC CORPORATION

POST OFFICE BOX 3227

SPRINGFIELD, ILLINOIS 62708-3227

PHONE: (217) 529-6601 FAX: (217) 529-6644

BUNN-O-MATIC COMMERCIAL PRODUCT WARRANTY

Bunn-O-Matic Corp. ("BUNN") warrants equipment manufactured by it as follows:

- 1) All equipment other than as specified below: 2 years parts and 1 year labor.
- 2) Electronic circuit and/or control boards: parts and labor for 3 years.
- 3) Compressors on refrigeration equipment: 5 years parts and 1 year labor.
- 4) Grinding burrs on coffee grinding equipment to grind coffee to meet original factory screen sieve analysis: parts and labor for 3 years or 30,000 pounds of coffee, whichever comes first.

These warranty periods run from the date of installation BUNN warrants that the equipment manufactured by it will be commercially free of defects in material and workmanship existing at the time of manufacture and appearing within the applicable warranty period. This warranty does not apply to any equipment, component or part that was not manufactured by BUNN or that, in BUNN's judgment, has been affected by misuse, neglect, alteration, improper installation or operation, improper maintenance or repair, damage or casualty. This warranty is conditioned on the Buyer 1) giving BUNN prompt notice of any claim to be made under this warranty by telephone at (217) 529-6601 or by writing to Post Office Box 3227, Springfield, Illinois 62708-3227; 2) if requested by BUNN, shipping the defective equipment prepaid to an authorized BUNN service location; and 3) receiving prior authorization from BUNN that the defective equipment is under warranty.

THE FOREGOING WARRANTY IS EXCLUSIVE AND IS IN LIEU OF ANY OTHER WARRANTY, WRITTEN OR ORAL, EXPRESS OR IMPLIED, INCLUDING, BUT NOT LIMITED TO, ANY IMPLIED WARRANTY OF EITHER MERCHANTABILITY OR FITNESS FOR A PARTICULAR PURPOSE. The agents, dealers or employees of BUNN are not authorized to make modifications to this warranty or to make additional warranties that are binding on BUNN. Accordingly, statements by such individuals, whether oral or written, do not constitute warranties and should not be relied upon.

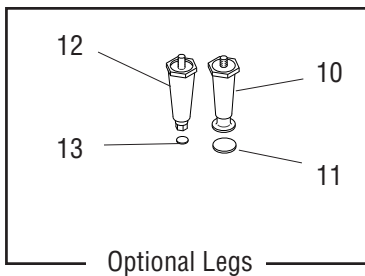
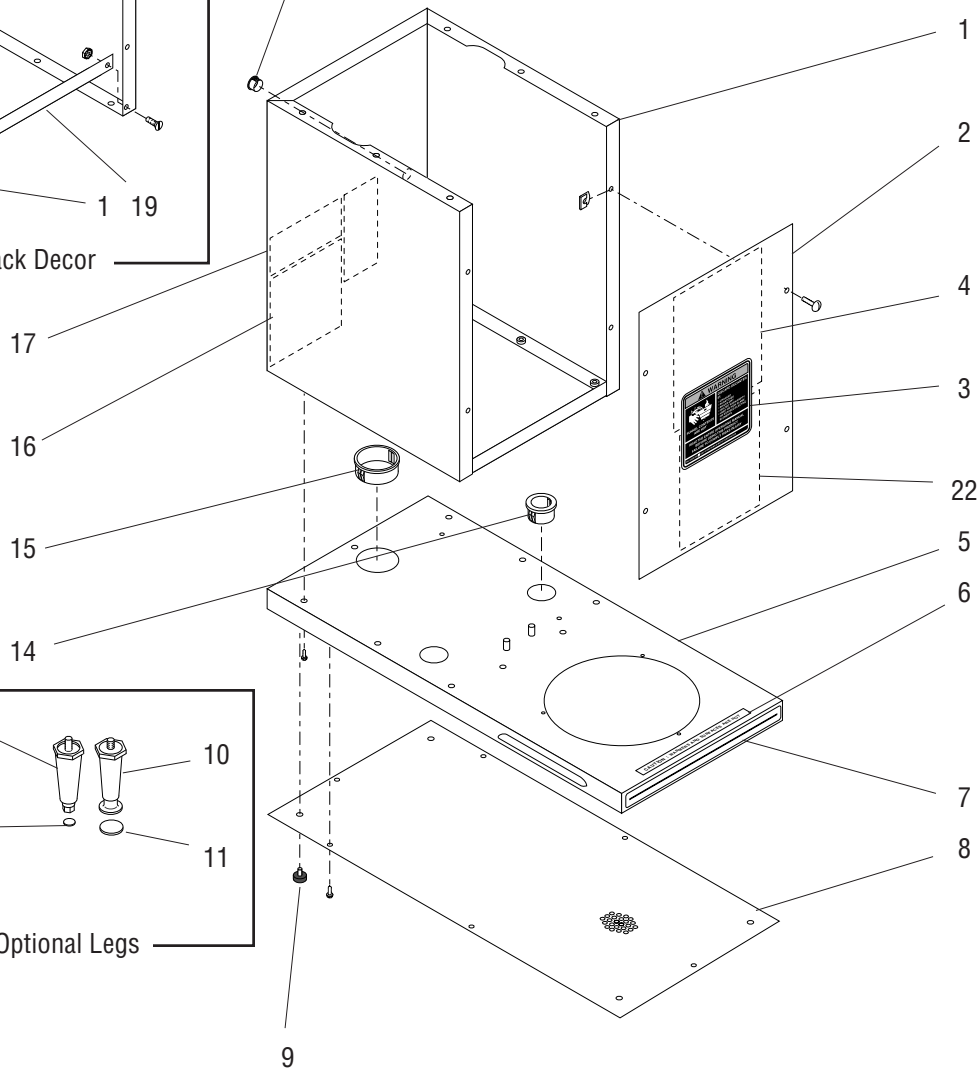
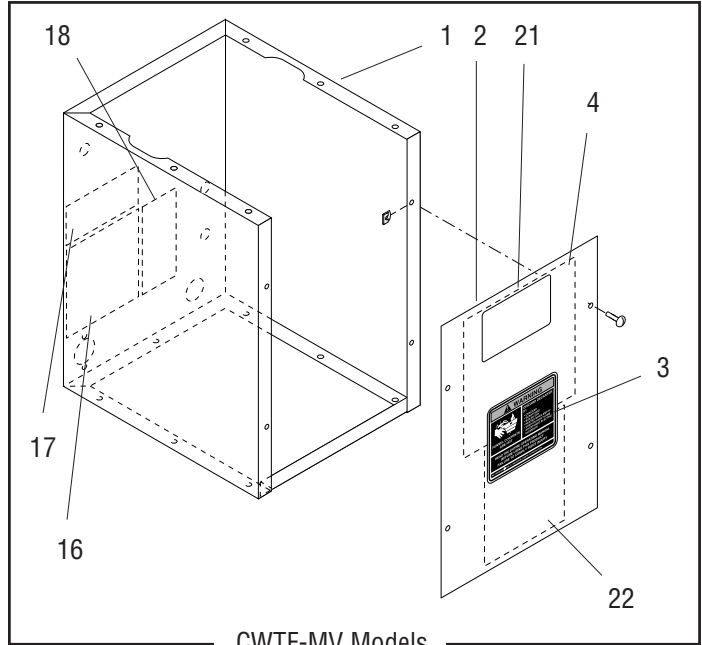
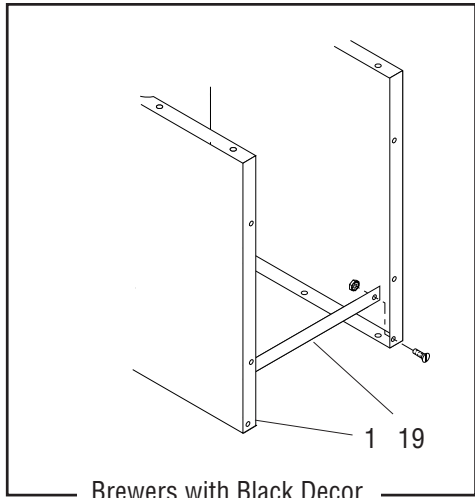
If BUNN determines in its sole discretion that the equipment does not conform to the warranty, BUNN, at its exclusive option while the equipment is under warranty, shall either 1) provide at no charge replacement parts and/or labor (during the applicable parts and labor warranty periods specified above) to repair the defective components, provided that this repair is done by a BUNN Authorized Service Representative; or 2) shall replace the equipment or refund the purchase price for the equipment.

THE BUYER'S REMEDY AGAINST BUNN FOR THE BREACH OF ANY OBLIGATION ARISING OUT OF THE SALE OF THIS EQUIPMENT, WHETHER DERIVED FROM WARRANTY OR OTHERWISE, SHALL BE LIMITED, AT BUNN'S SOLE OPTION AS SPECIFIED HEREIN, TO REPAIR, REPLACEMENT OR REFUND.

In no event shall BUNN be liable for any other damage or loss, including, but not limited to, lost profits, lost sales, loss of use of equipment, claims of Buyer's customers, cost of capital, cost of down time, cost of substitute equipment, facilities or services, or any other special, incidental or consequential damages.

TABLE OF CONTENTS

Electrical and Operating Controls	30
Faucet and Tubing	28
Fill Basin	14
Funnels and Filter Basket	38
Hood and Top Covers - SST and Black Decor Models	10
Hood and Top Covers - Brass Models	12
Numerical Index	40
External Strainer, Flow Control, Solenoid and Lines	22
Internal Strainer, Flow Control, Solenoid and Lines	26
Tank and Components (Without Faucet)	16
Tank and Components (With Faucet)	18
Tank and Components (Model CWTF-MV)	20
Trunks and Panels - SST and Black Decor Models (One warmer base)	4
Trunks and Panels - SST and Black Decor Models (Two warmer base)	8
Trunk and Panels - Brass Models	6
Warmer Assemblies	36

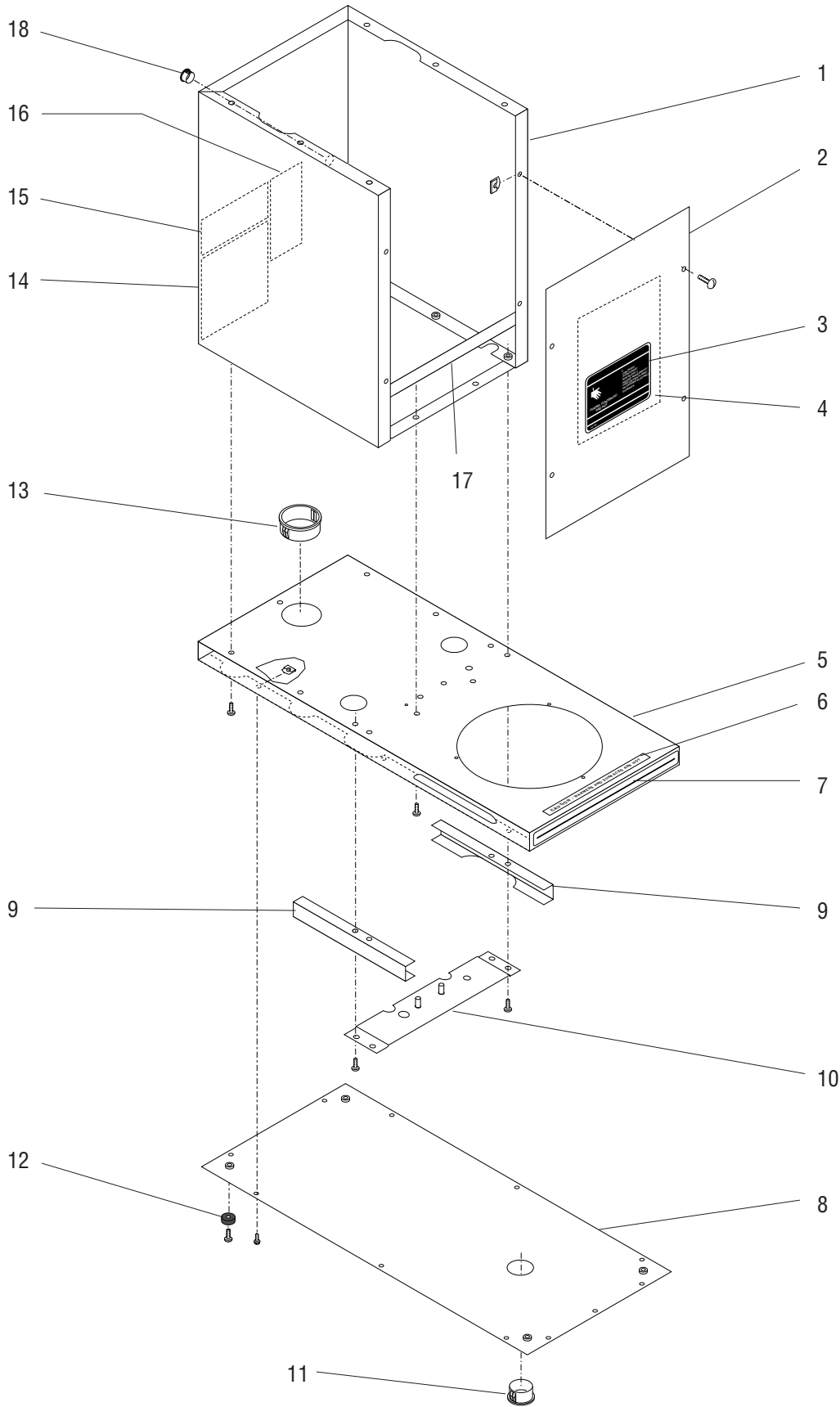


TRUNKS AND PANELS - SST AND BLACK DECOR MODELS W/ONE WARMER BASE

ITEM	PART NO.	QTY.	DESCRIPTION
1	25352.0000	1	Trunk W/Decals BLK Vinyl (Includes Items 16, 17, 18 & 20)
	23320.1002	1	Trunk W/Decals BLK Painted (Includes Items 16, 17, 18 & 20)
	25352.0001	1	Trunk W/Decals SST (Includes items 16, 17, 18 & 20)
	25352.0002	1	Trunk W/Decals SST (Includes items 16, 17, 18 & 20)(CWTF-MV Models)
	25352.0007	1	Trunk W/Decals SST (Includes items 16, 17 & 18) (Models W/O Warmers)
2	25144.0005	1	Panel W/Decals, Trunk - BLK Vinyl (Includes items 3 & 4)
	23319.1004	1	Panel W/Decals, Trunk - BLK Painted (Includes items 3 & 4)
	25144.0004	1	Panel W/Decals, Trunk - SST (Includes items 3 & 4)
	25144.0003	1	Panel W/Decals, Trunk - BLK Vinyl (Includes item 3)(“A” & “B” Models)
	23319.1003	1	Panel W/Decals, Trunk - BLK Painted (Includes item 3)(“A” & “B” Models)
	25144.0002	1	Panel W/Decals, Trunk - SST (Includes item 3)(“A” & “B” Models)
	25144.0010	1	Panel W/Decals, Trunk - SST (Includes items 3, 4 & 21)(CWTF-MV Models)
	25144.0019	1	Panel W/Decals, Trunk - SST (Includes items 3 & 4) (Models W/O Warmers)
	01382.0000	4	Screw, Truss Head SST #6-32 x .375”
	01382.0002	4	Screw, Truss Head BLK #6-32 x .375”
00988.0000	4	Fastener, U-Type #6-32	
3	00658.0000	1	Decal, Caution - Decanter/Funnel
4	10836.0000	1	Schematic, Electrical 120V & 120V/240V
	10836.0005	1	Schematic, Electrical 120V/240V (CWTF-MV Models)
	10836.0006	1	Schematic, Electrical 120V/240V (Models W/O Warmers)
5	25351.0000	1	Housing W/Decals, Base SST (Includes items 6 & 7)
	25351.0002	1	Housing W/Decals, Base BLK (Includes items 6 & 7)
	25351.0001	1	Housing W/Decals, Base (“A” Models)(Includes items 6 & 7)
	23321.0000	1	Housing W/Decals, Base SST (Includes item 7) (Models W/O Warmers)
	02308.0000	9	Screw, Pan Head #8-32 x .38”
6	12364.0000	1	Decal, Caution - Warmers And Surfaces Are Hot
7	22306.0000	1	Decal, Decorative Stripe
8	24805.0000	1	Cover, Base
	02332.0002	4	Screw, Hex-Crimptite #6 x .38”
9	25137.0000	4	Foot, Rubber
10	00511.0000	4	Leg, 4” Adjustable Satin Nickel
11	03996.0000	4	Pad, Anti-Skid, Rubber (1.25” Dia.)
12	03359.0001	4	Leg, 4” Adjustable BLK (Order item 23)
13	03993.0000	4	Pad, Anti-Skid, Rubber (.70” Dia.) (Order item 23)
14	01592.0000	1	Bushing, Snap 1” Dia. (“A” Models only)
15	01593.0000	1	Bushing, Snap 1.5” Dia.
16	00831.0000	1	Decal, Warning - Electrical
17	00656.0000	1	Decal, Comply To Plumbing Code
18	26225.0000	1	Decal, Flow Control/Strainer(Brewers W/External Flow Control and Faucet)
19	13018.0200	1	Angle, Reinforcement
	01345.0000	2	Screw, Flat Head #6-32 x .50”
	00973.0000	2	Nut, Keps #6-32
20	00670.0000	1	Plug, Hole - .437” Hole Dia (Brewers W/Out Faucet)
21	28181.0000	1	Decal - Optional Field Wiring
22	32540.0000	1	Decal, Batch Set (Digital Timer) (Late models)
23	13255.0005	-	Leg Kit (Includes items 12 & 13)

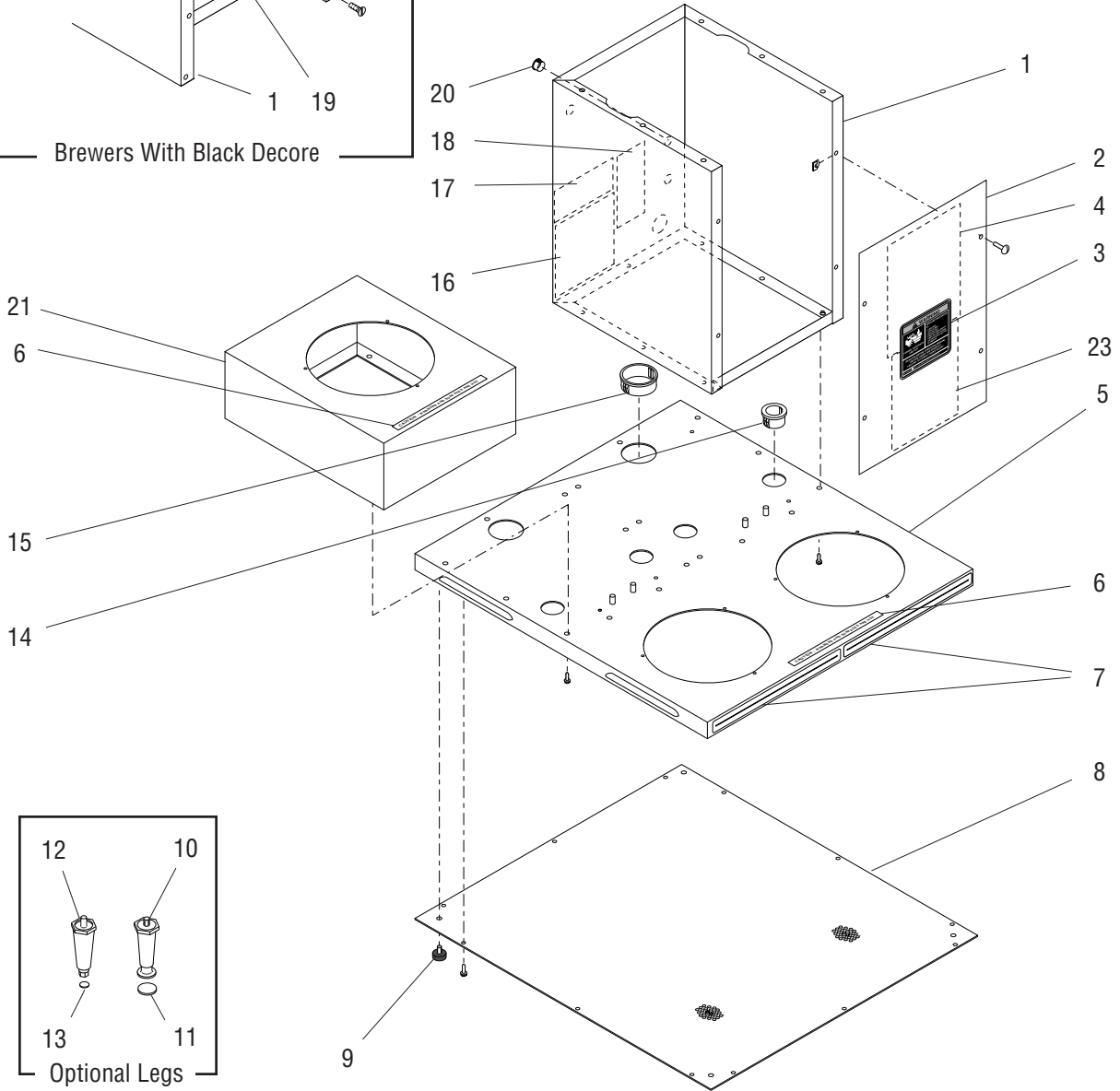
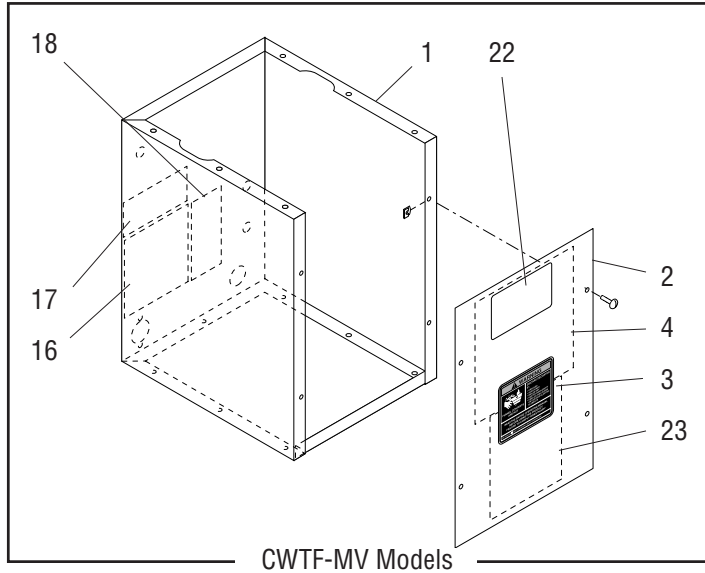
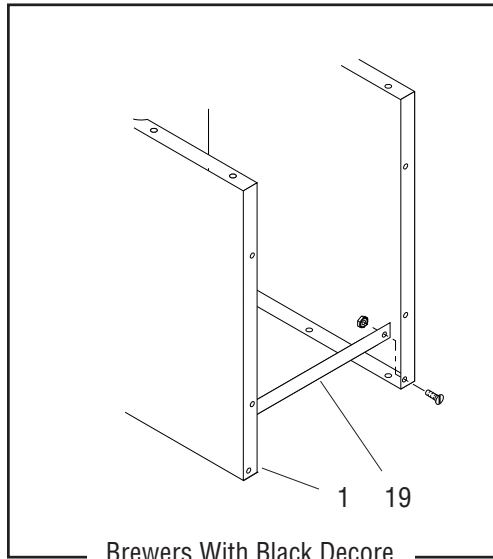
Optional Equipment

Early Model Brewers with Black Decor and Screw on Angle



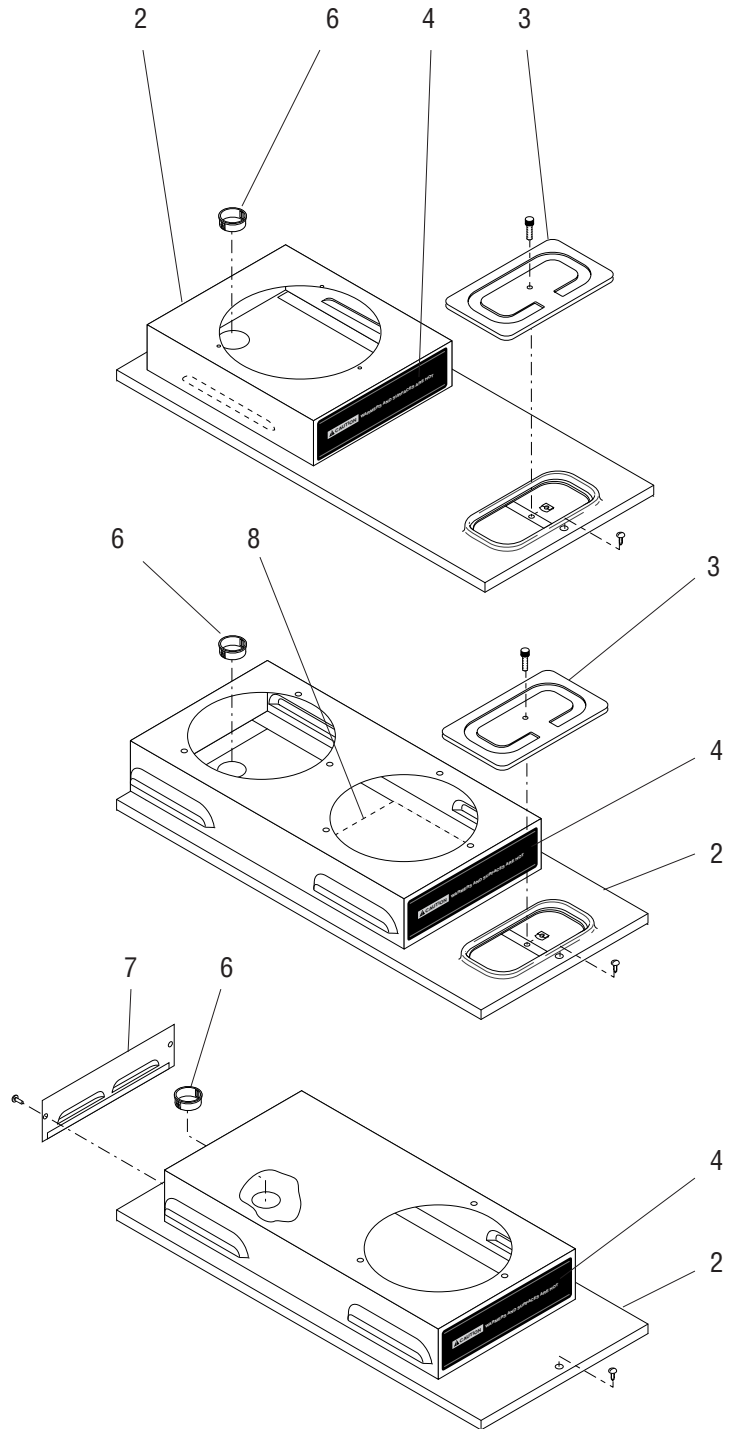
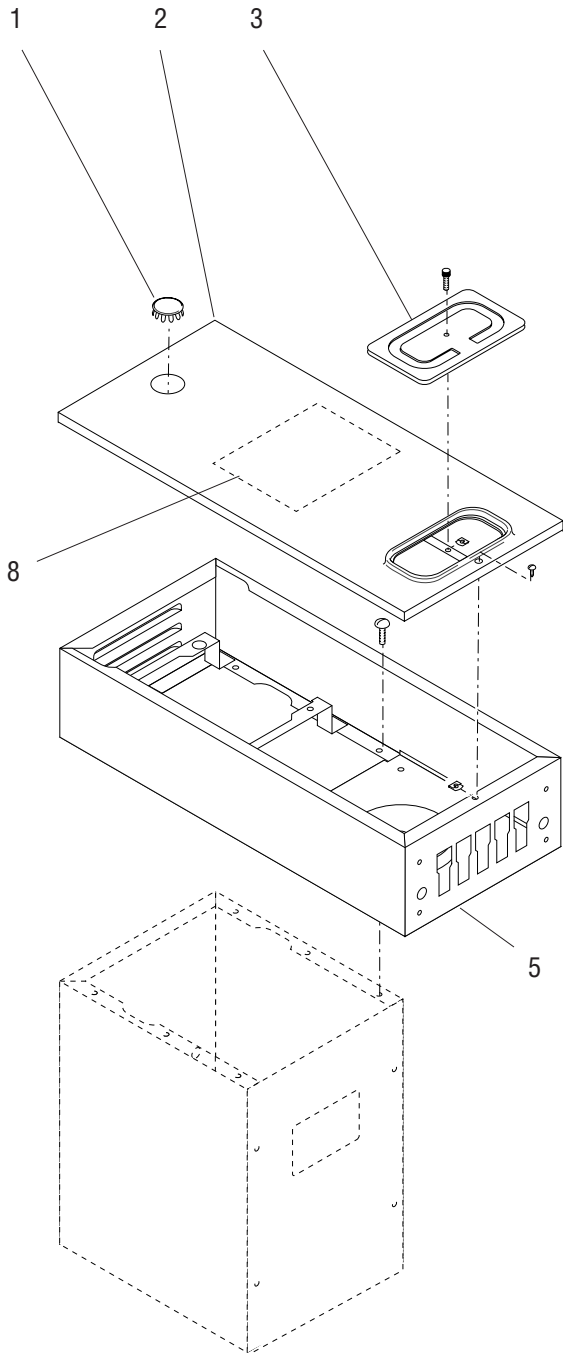
TRUNKS AND PANELS - BRASS MODELS W/ONE WARMER BASE

ITEM	PART NO.	QTY.	DESCRIPTION
1	22557.0000	1	Trunk W/Decals (Includes Items 14, 15, 16, 18)
2	22559.0000	1	Panel W/Decals, Trunk (Includes items 3 & 4)
	01315.0003	4	Screw, Truss Head #6-32 x .375"
	00912.0000	4	Fastener, J-Type #6-32
3	00658.0000	1	Decal, Caution - Decanter/Funnel
4	10836.0000	1	Schematic, Electrical 120V & 120V/240V
5	22555.0000	1	Housing W/Decals, Base (Includes items 6 & 7)
	02308.0000	7	Screw, Pan Head - Serrated #8-32 x .38"
6	12364.0000	1	Decal, Caution - Warmers And Surfaces Are Hot
7	22306.0000	1	Decal, Decorative Stripe
8	12673.0001	1	Cover, Base
	01347.0000	11	Screw, Truss Head-Serrated #6-32 x .375"
	00988.0000	11	Fastener, J-Type #6-32
9	22520.0000	1	Channel, Base Support - Left
	22520.0001	1	Channel, Base Support - Right
10	22519.0000	1	Plate, Base Support
	02308.0000	4	Screw, Pan Head - Serrated #8-32 x .375"
	00970.0000	2	Nut, Keps #6-32
11	03011.0000	1	Plug, Vent 1" Dia
12	11435.0000	4	Foot, Rubber
	02308.0000	4	Screw, Pan Head - Serrated #8-32 x .375"
13	01593.0000	1	Bushing, Snap 1.5" Dia.
14	00831.0000	1	Decal, Warning - Electrical
15	00656.0000	1	Decal, Comply To Plumbing Code
16	10447.0000	1	Decal, Flow Control/Strainer
17	22507.0000	1	Angle, Reinforcement
18	00670.0000	1	Plug, Hole - .437" Hole Dia (Brewers W/Out Faucet)



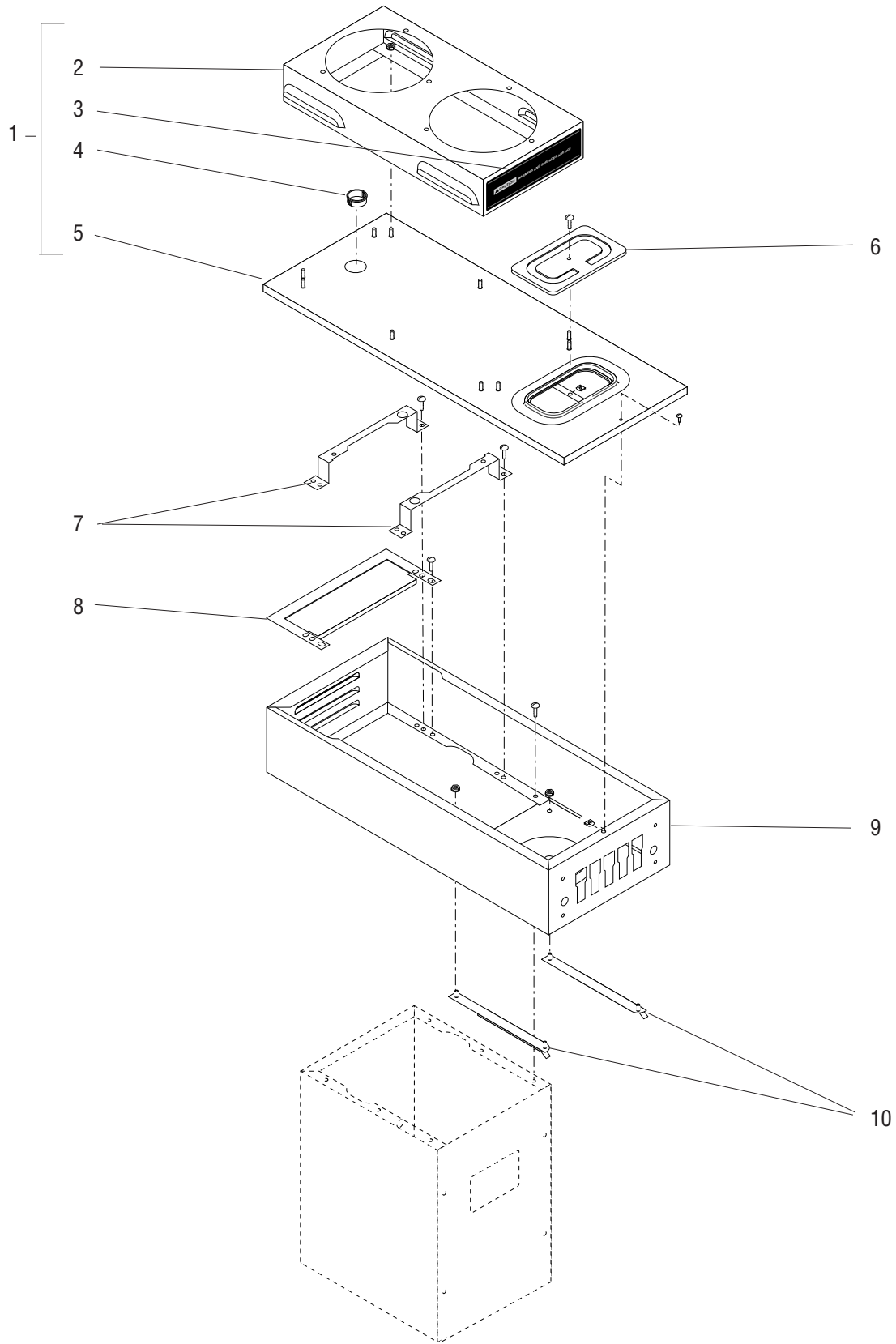
TRUNKS AND PANELS - BREWERS W/TWO WARMER BASE

ITEM	PART NO.	QTY.	DESCRIPTION
1	25352.0000	1	Trunk W/Decals BLK Vinyl (Includes Items 16, 17, 18 & 20)
	23320.1002	1	Trunk W/Decals BLK Painted (Includes Items 16, 17, 18 & 20)
	25352.0008	1	Trunk W/Decals BLK Coated - No Receptacle (Includes Items 16, 17 & 18)
	25352.0001	1	Trunk W/Decals SST (Includes items 16, 17, 18 & 20)
	25352.0002	1	Trunk W/Decals SST (Includes items 16, 17 & 18) (CWTF-MV Models)
2	25144.0005	1	Panel W/Decals, Trunk - BLK Vinyl (Includes items 3 & 4)
	23319.1004	1	Panel W/Decals, Trunk - BLK Painted (Includes items 3 & 4)
	25144.0023	1	Panel W/Decals, Trunk - BLK Coated (Includes items 3, 4 & 23)
	25144.0004	1	Panel W/Decals, Trunk - SST (Includes items 3 & 4)
	25144.0010	1	Panel W/Decals, Trunk - SST (Includes items 3, 4 & 22)(CWTF-MV Models)
	25144.0003	1	Panel W/Decals, Trunk - BLK Vinyl (Includes item 3)("A" & "B" Models)
	23319.1003	1	Panel W/Decals, Trunk - BLK Painted (Includes item 3)("A" & "B" Models)
	25144.0002	1	Panel W/Decals, Trunk - SST (Includes item 3)("A" & "B" Models)
	01382.0000	4	Screw, Truss Head SST #6-32 x .375"
	01382.0002	4	Screw, Truss Head BLK #6-32 x .375"
	00988.0000	4	Fastener, U-Type #6-32
3	00658.0000	1	Decal, Caution - Decanter/Funnel
4	10836.0000	1	Schematic, Electrical 120V & 120V/240V
	10836.0005	1	Schematic, Electrical 120V/240V (CWTF-MV Models)
5	25657.0000	1	Housing W/Decals, Base SST (Includes items 6 & 7)
	25657.0002	1	Housing W/Decals, Base BLK (Includes items 6 & 7)
	25657.0001	1	Housing W/Decals, Base ("A" Models)(Includes items 6 & 7)
	02308.0000	16	Screw, Pan Head #8-32 x .38"
6	12364.0000	2	Decal, Caution - Warmers And Surfaces Are Hot
7	22306.0000	2	Decal, Decorative Stripe
8	12667.0001	1	Cover, Base
	02332.0002	12	Screw, Hex-Crimptite #6 x .38" (Eight less used on late Models)
9	25137.0000	4	Foot, Rubber
10	00511.0000	4	Leg, 4" Adjustable Satin Nickel
11	03996.0000	4	Pad, Anti-Skid, Rubber (1.25" Dia.)
12	03359.0001	4	Leg, 4" Adjustable BLK
13	03993.0000	4	Pad, Anti-Skid, Rubber (.70" Dia.)
14	01592.0000	2	Bushing, Snap 1" Dia.
15	01593.0000	2	Bushing, Snap 1.5" Dia.
16	00831.0000	1	Decal, Warning - Electrical
17	00656.0000	1	Decal, Comply To Plumbing Code
18	26225.0000	1	Decal, Flow Control/Strainer(Brewers W/External Flow Control and Faucet)
19	13018.0200	1	Angle, Reinforcement
	01345.0000	2	Screw, Flat Head #6-32 x .50"
	00973.0000	2	Nut, Keps #6-32
			} Brewers with Black Decor
20	00670.0000	1	Plug, Hole - .437" I.D. (Brewers W/Out Faucet)
21	25658.0000	1	Housing W/Decal, Side Warmer (Includes Item 6)
	25658.0002	1	Housing, BLK W/Decal, Side Warmer (Includes Item 6)
22	28181.0000	1	Decal, Optional Field Wiring (Brewers with three lower warmers) (CWTF-MV models)
23	32540.0000	1	Decal, Batch Set (Digital Timer) (Late models)



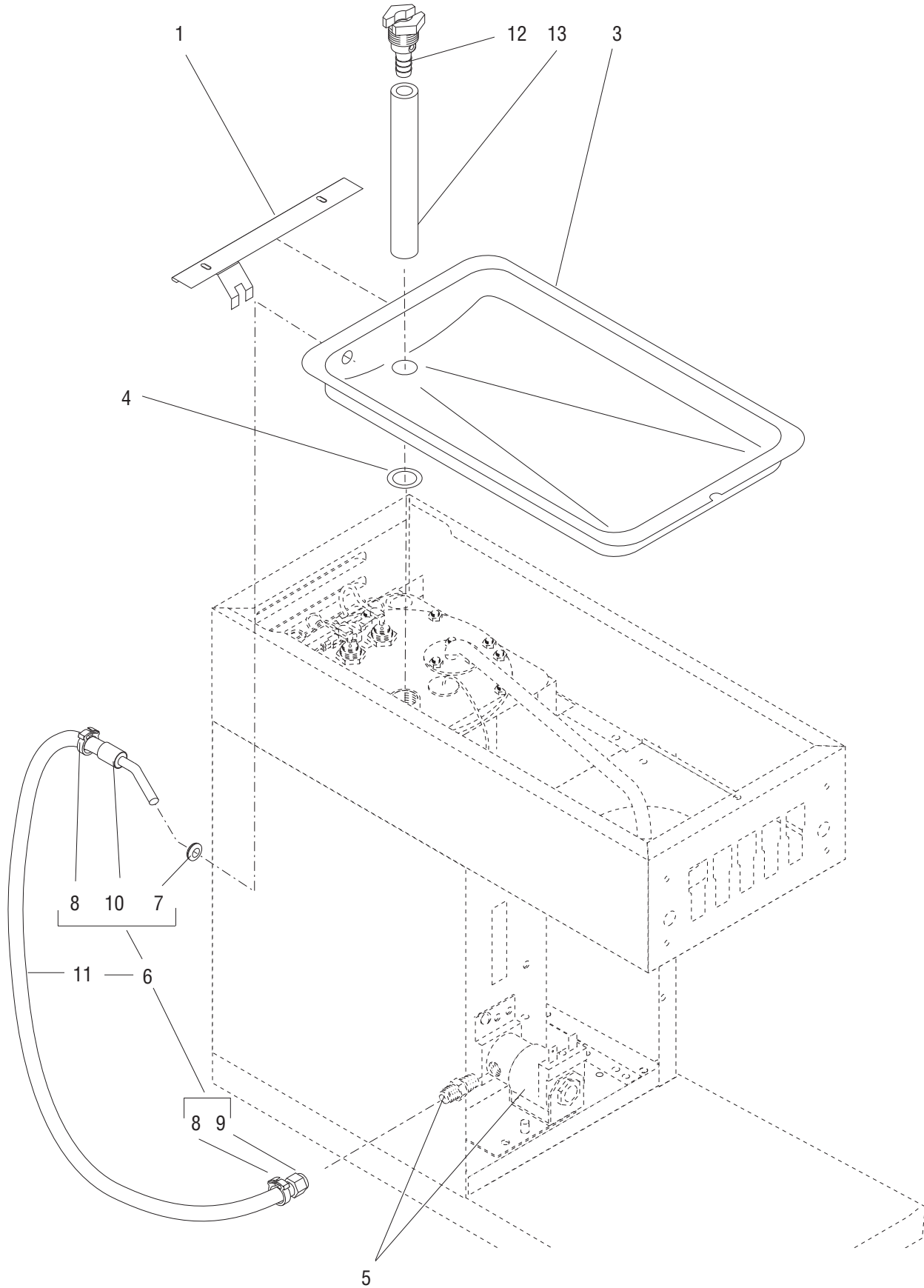
HOOD AND TOP COVERS - SST AND BLACK DECOR MODELS

ITEM	PART NO.	QTY.	DESCRIPTION
1	02999.0000	1	Plug, Hole 1.19" Dia. (Early Models)
2	25310.0001	1	Cover, Top
	25325.0001	1	Cover W/Decal, Top (Brewers W/Three Lower Warmers)(Includes item 3)
	28258.0000	1	Cover W/Decal, Top (Brewers W/Three Lower Warmers)(Includes item 8)(CWTF-MV Models)
	25633.0001	1	Cover w/Decal, Top (Brewers w/One Top Warmer/Rear) (Includes items 4 & 6)
	25633.0002	1	Cover w/Decal, Top (Brewers w/One Top Warmer/Front) (Includes items 4 & 6)
	25353.0001	1	Cover w/Decal, Top SST (Brewers w/Two Top Warmers) (Includes items 4 & 6)
	25353.0004	1	Cover w/Decal, Top BLK (Brewers w/Two Top Warmers) (Includes items 4 & 6)
	25353.0002	1	Cover w/Decal, Top (Brewers w/Two Top Warmers) (Includes items 4,6 & 8)(CWTF-MV Models)
	01303.0000	1	Screw, Pan Head #4-40 x .50"
	00916.0000	1	Fastener, J-Type #4-40
3	02722.0000	1	Lid, Pour-In - SST
	02722.0001	1	Lid, Pour-In - BLK
	01319.0000	1	Screw, Thumb #8-32 x .75"
	00912.0000	1	Fastener, J-Type #8-32
4	02765.0000	1	Decal, Caution - Warmers and Surfaces Are Hot
5	13350.0006	1	Housing, Hood SST (For Brewers with 7.125" Dia Funnel)
	13350.0016	1	Housing, Hood BLK (For Brewers with 7.125" Dia Funnel)
	13350.0011	1	Housing, Hood (For Brewers with 7.625" Dia Funnel)
	02308.0000	6	Screw, Pan Head #8-32 x .38"
6	01592.0001	1	Bushing, Snap 1.188" Dia
	01592.0000	1	Bushing, Snap 1.0" Dia.
7	02732.0000	1	Panel, Rear Top Warmer
	01315.0000	2	Screw, Truss Head 8 - 32 x .375"
8	28180.0000	1	Decal, Wiring Conversion (CWTF-MV Models)



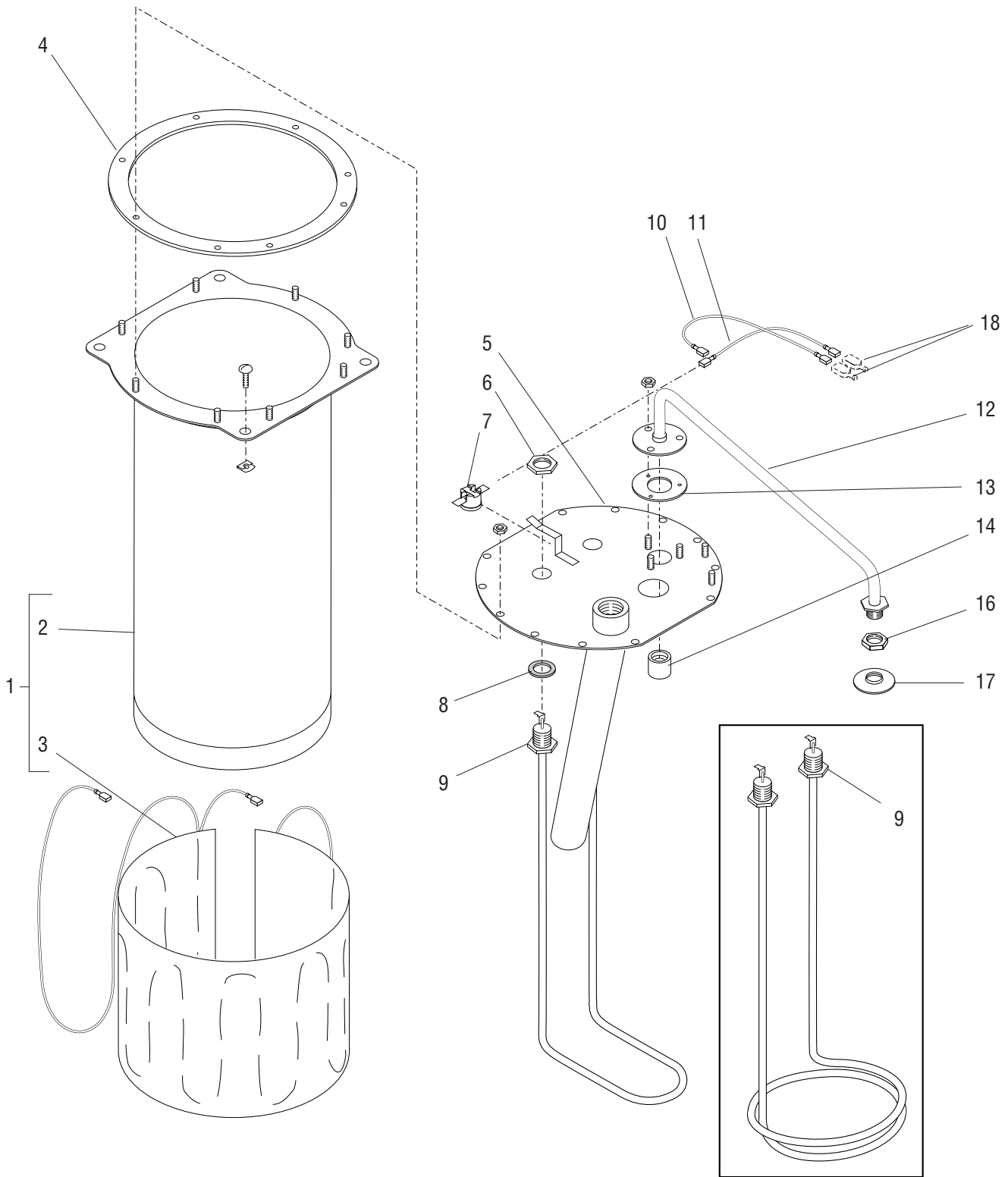
HOOD AND TOP COVERS - BRASS MODELS

ITEM	PART NO.	QTY.	DESCRIPTION
1	22510.1000	1	Cover Assembly, Top (Includes items 2 thru 5, ten #8-32 Keps Nuts and one #8-32 J-Type Fastener)
2	22556.0000	1	Housing W/Decal, Warmer (Includes item 3)
	00970.0000	10	Nut, Keps #8-32
3	02765.0000	1	Decal, Caution - Warmers and Surfaces Are Hot
4	01592.0000	1	Bushing, Snap 1.0" Dia
5	22510.1001	1	Cover Assembly, Top (Includes item 4, ten #8-32 Keps Nuts and one #8-32 J-Type Fastener)
	01303.0001	1	Screw, Pan Head #4-40 x .50"
	00916.0000	1	Fastener, J-Type #4-40
6	02722.0000	1	Lid, Pour-In
	02322.0003	1	Screw, Truss Head - BLK #8-32 x 1,5"
	00912.0000	1	Fastener, J-Type #8-32
7	22521.0000	2	Bracket, Tank Mounting
	02308.0000	8	Screw, Pan Head - Serrated #8-32 x .375"
8	22522.0000	1	Panel
	02308.0000	2	Screw, Pan Head - Serrated #8-32 x .375"
9	22523.0000	1	Housing, Hood
	02308.0000	6	Screw, Pan Head - Serrated #8-32 x .375"
10	12655.0001	1	Rail, Funnel - Left
	12656.0001	1	Rail, Funnel - Right
	00970.0000	4	Nut, Keps #8-32



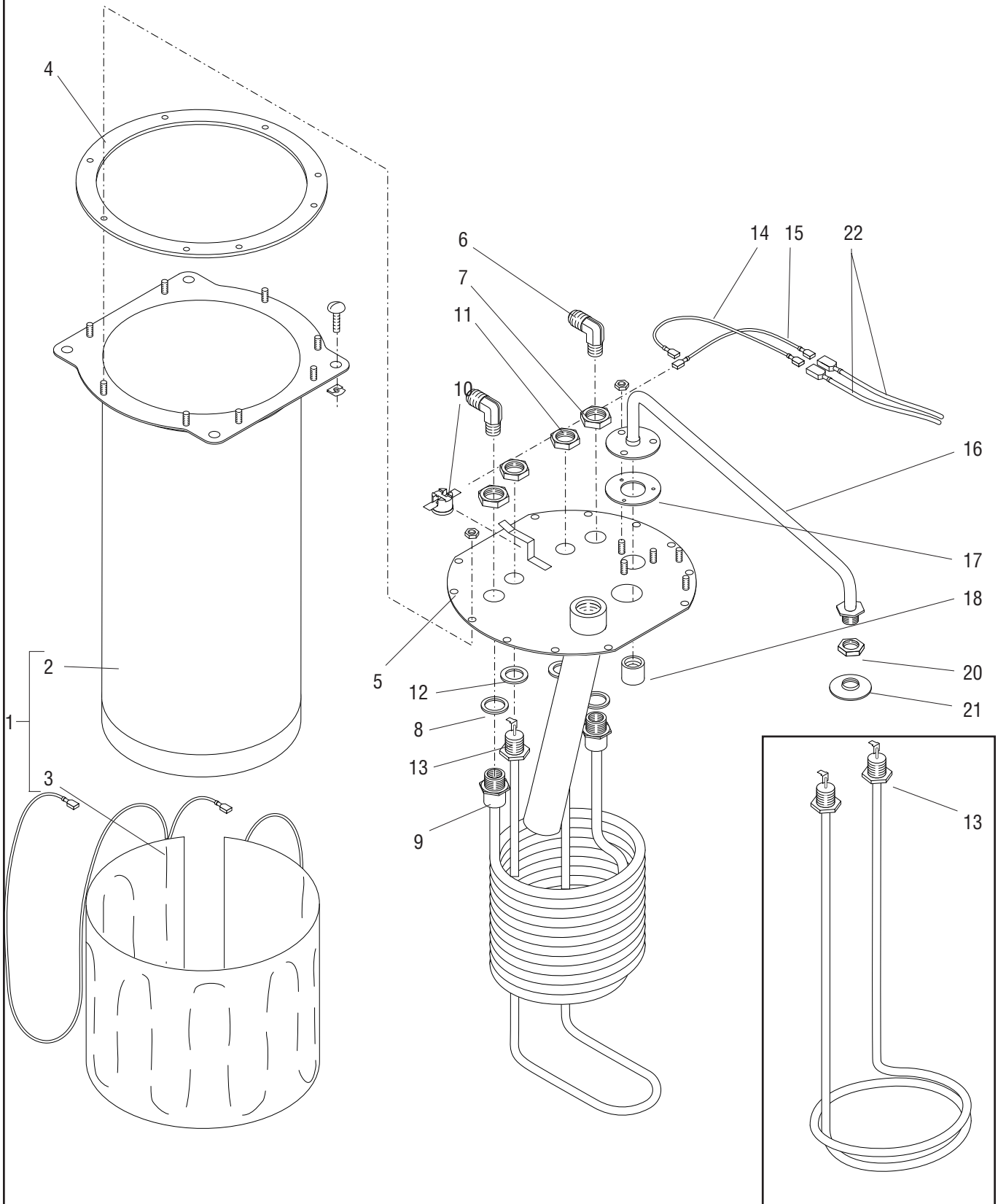
FILL BASIN

ITEM	PART NO.	QTY.	DESCRIPTION
1	27514.0000	1	Plate, Splash Guard
2	01212.0000	1	Fitting, Tank Inlet (Early Models)
3	04270.0002	1	Fill Basin
4	01201.0000	1	Gasket, Tank Inlet
5	-----	-	Solenoid Assembly (See STRAINER-FLOW CONTROL, SOLENOID & LINES)
6	12914.0002	1	Tube Assembly, Solenoid To Fill Basin (Includes item 7 thru 11)
7	12928.0000	1	Grommet, Basin (See Item 6)
8	12422.0000	2	Clamp, Hose-Snap (See Item 6)
9	22397.0001	1	Fitting, .25 Barb x .12 MPT (See Item 6)
10	12913.0000	1	Tube, Fill Basin (See Item 6)
11	11707.1001	1	Tube, Silicone - 36" lg (Cut to 21.5") (See Item 6)
12	32063.0000	1	Fitting
13	-----	1	Tube, Silicone .313" I.D. x 4.0" (Order item 14)
14	28526.1000	-	Tube, Silicone .313" I.D. x 12.0" (Cut to required length)



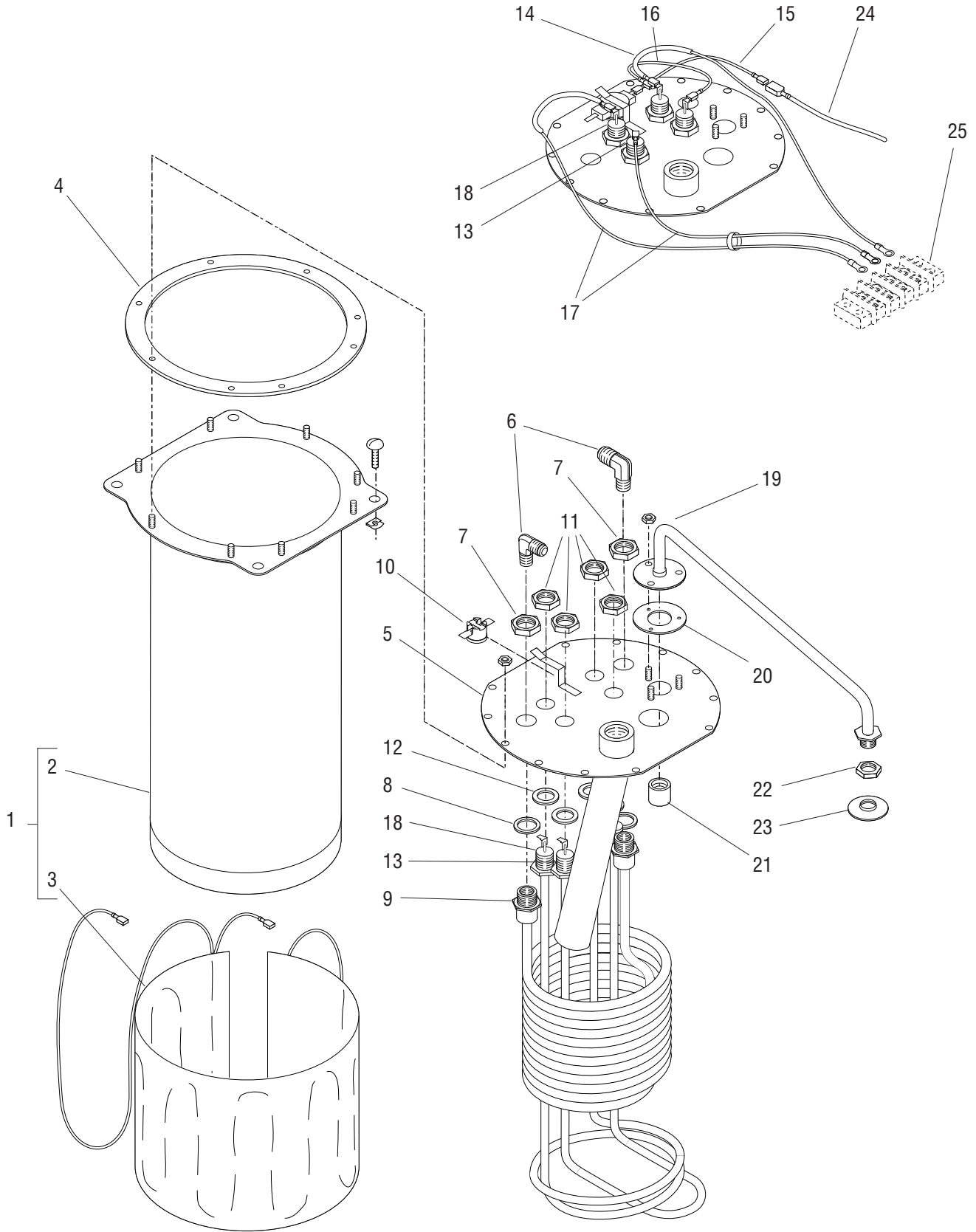
TANK AND COMPONENTS W/OUT FAUCET

ITEM	PART NO.	QTY.	DESCRIPTION	
-	25319.1000	1	Tank Assy, 1320W 120V (Includes items 1 thru 14)	
	25319.1001	1	Tank Assy, 1800W 120V (Includes items 1 thru 14)	
	25319.1002	1	Tank Assy, 3500W 120/240V (Includes items 1 thru 14)	
	-----	1	Tank Assy, 1850W 220V (Includes items 1 thru 14)] Not Available. Order Components.
	-----	1	Tank Assy, 3500W 240V (Includes items 1 thru 14)	
	01315.0000	2	Screw, Truss Head #8-32 x .3/8"	
	00912.0000	2	Fastener, J-Type #8-32	
1	04119.0000	1	Tank W/Blanket Warmer, 120V] Includes items 2 & 3
	04133.0000	1	Tank W/Blanket Warmer, 220V	
2	04118.0000	1	Tank	
3	04260.0000	1	Blanket Warmer, 50W 120V	
	01927.0000	1	Blanket Warmer, 50W 220V	
4	04221.0000	1	Gasket, Tank Lid	
5	25158.0002	1	Tank Lid Weldment	
	00908.0000	8	Nut, Hex #8-32	
6	00942.0000	2	Nut, Hex .50"-20	
7	29329.1000	1	Thermostat, Limit	
8	00943.0000	2	Gasket, Tank Heater	
9	04236.1000	1	Tank Heater, 1320W 120V] Includes item 8
	04636.1000	1	Tank Heater, 1800W 120V	
	01925.1000	1	Tank Heater, 1850W 220V	
	20941.1000	1	Tank Heater, 3500W 200V	
	04637.1000	1	Tank Heater, 3500W 240V	
10	23769.0000	1	Lead, Electrical BLK (Thermostat to Heater)	
11	23768.0000	1	Lead, Electrical BLU(Thermostat to Limit)	
12	11431.0002	1	Sprayhead Tube Kit (Includes 3 mounting nuts below & items 13 & 14)	
	00908.0000	3	Nut, Hex #8-32	
13	05515.0000	1	Gasket, Sprayhead Tube	
14	05518.0000	1	Hub, Syphon	
15	12949.0001	1	Wiring Harness, Heater/Limit to Main Harness 120V] Used on Brewers prior to April 1995. Not Illustrated
	12949.0002	1	Wiring Harness, Heater/Limit to Main Harness 120/240V	
	12949.0003	1	Wiring Harness, Heater/Limit to Main Harness 200V & 240V	
16	01075.0000	1	Nut, Hex .438" - 20	
17	01082.0000	1	Sprayhead, 6-Hole	
	01082.0004	1	Sprayhead, 5-Hole ("A" Models Only-Optional)	
	01082.0007	1	Sprayhead, 1-Hole (Brewers with Pouch-Pack Funnel)	
18	-----	-	Thermostat Leads (See Electrical and Operating Controls)	



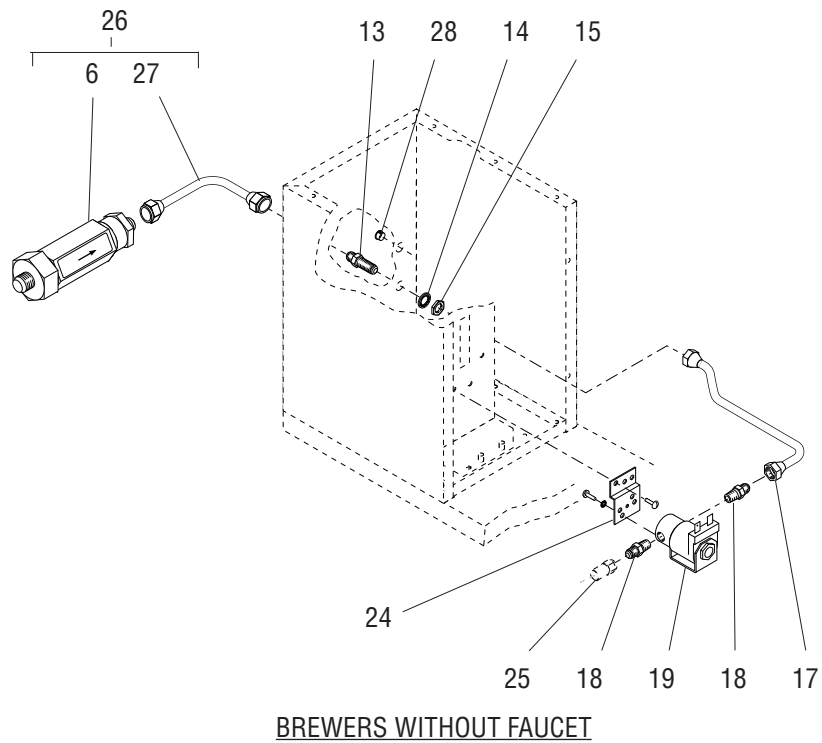
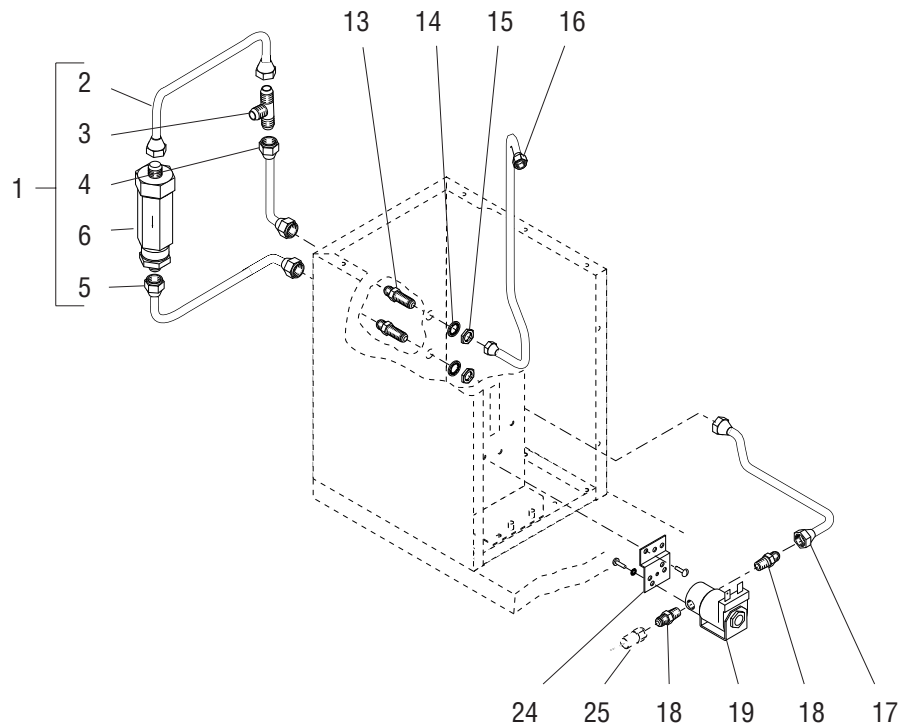
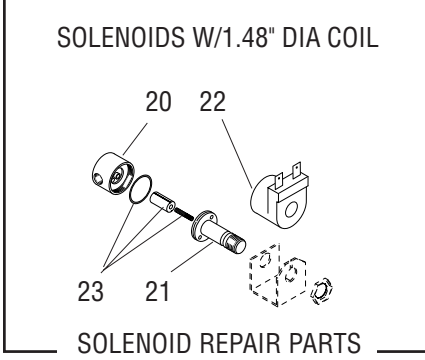
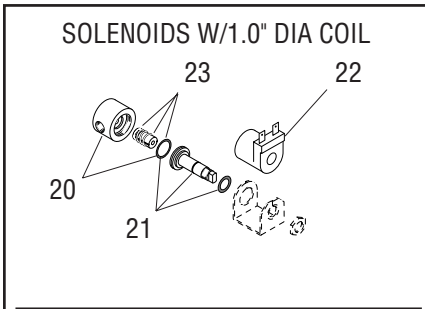
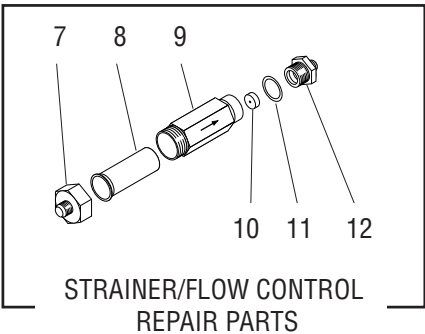
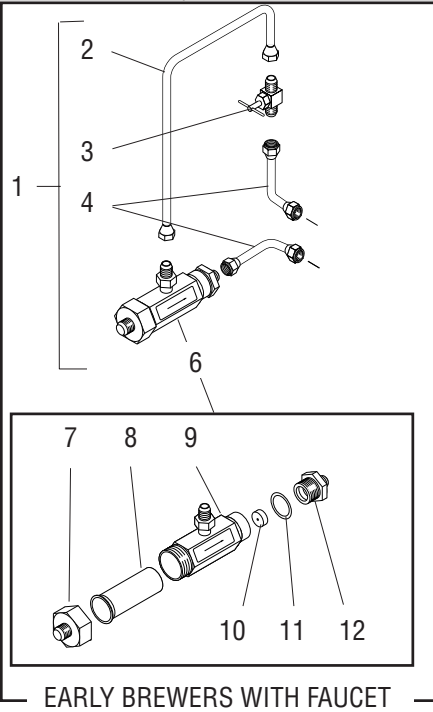
TANK AND COMPONENTS W/FAUCET

ITEM	PART NO.	QTY.	DESCRIPTION	
-	25320.1000	1	Tank Assy, 1320W 120V (Includes items 1 thru 19)	
	25320.1001	1	Tank Assy, 1800W 120V (Includes items 1 thru 19)	
	25320.1002	1	Tank Assy, 3500W 240V (Includes items 1 thru 19)	
	-----	1	Tank Assy, 1850W 220V (Includes items 1 thru 19)] Not Available. Order Components.
	-----	1	Tank Assy, 3500W 240V (Includes items 1 thru 19)	
	01315.0000	2	Screw, Truss Head #8-32 x .375"	
	00912.0000	2	Fastener, J-Type #8-32	
1	04119.0000	1	Tank W/Blanket Warmer, 120V] Includes items 2 & 3
	04133.0000	1	Tank W/Blanket Warmer, 220V	
2	04118.0000	1	Tank	
3	04260.0000	1	Blanket Warmer, 50W 120V	
	01927.0000	1	Blanket Warmer, 50W 220V	
4	04221.0000	1	Gasket, Tank Lid	
5	25158.0003	1	Tank Lid Weldment	
	00908.0000	8	Nut, Hex #8-32	
6	00400.0001	2	Elbow, Male .250" Flare x .125" MPT	
7	12687.0000	2	Nut, Hex Brass .562"-24 (Water Coil)	
8	12688.0000	2	Gasket, Water Coil	
9	12689.1000	1	Coil Assy, Hot Water (Includes item 8)	
10	29329.1000	1	Thermostat, Limit	
11	00942.0000	2	Nut, Hex .50"-20 (Tank Heater)	
12	00943.0000	2	Gasket, Tank Heater	
13	04236.1000	1	Tank Heater, 1320W 120V] Includes item 12
	04636.1000	1	Tank Heater, 1800W 120V	
	01925.1000	1	Tank Heater, 1850W 220V	
	04637.1000	1	Tank Heater, 3500W 240V	
	20941.1000	1	Tank Heater, 3500W 200V	
14	20211.0100	1	Thermal Safety Fuse (Thermostat to Heater)	
15	23768.0000	1	Lead, Electrical BLU (Thermostat to Limit)	
16	11431.0002	1	Sprayhead Tube Kit (Includes 3 mounting nuts below & items 20 & 21)	
	00908.0000	3	Nut, Hex #8-32	
17	05515.0000	1	Gasket, Sprayhead tube	
18	05518.0000	1	Hub, Syphon	
19	12949.0001	1	Wiring Harness, Heater/Limit to Main Harness 120V] Used on Brewers prior to April 1995. Not Illustrated
	12949.0002	1	Wiring Harness, Heater/Limit to Main Harness 120V/240V	
	12949.0003	1	Wiring Harness, Heater/Limit to Main Harness 200V & 240V	
20	01075.0000	1	Nut, Hex .438"-20	
21	01082.0000	1	Sprayhead, 6-Hole	
	01082.0004	1	Sprayhead, 5-Hole ("A" Models Only-Optional)	
	01082.0007	1	Sprayhead, 1-Hole (Brewers With Pouch-Pack Funnel)	
22	-----	-	Thermostat Leads (See Electrical and Operating Controls)	



TANK AND COMPONENTS CWTF-MV

ITEM	PART NO.	QTY.	DESCRIPTION
-	-----	1	Tank Assy, 1320W/1800W 120V/240V (Includes items 1 thru 19)(Not Available. Order Components.)
	01315.0000	2	Screw, Truss Head #8-32 x .375"
	00912.0000	2	Fastener, J-Type #8-32
1	04119.0000	1	Tank W/Blanket Warmer, 120V (Includes item 2 & 3)
2	04118.0000	1	Tank
3	04260.0000	1	Blanket Warmer, 50W 120V
4	04221.0000	1	Gasket, Tank Lid
5	25158.0004	1	Tank Lid Weldment
	00908.0000	8	Nut, Hex #8-32
6	00400.0001	2	Elbow, Male .250" Flare x .125" MPT
7	12687.0000	2	Nut, Hex Brass .562"-24 (Water Coil)
8	12688.0000	2	Gasket, Water Coil
9	12689.1000	1	Coil Assy, Hot Water (Includes item 8)
10	29329.1000	1	Thermostat, Limit
11	00942.0000	4	Nut, Hex .50"-20 (Tank Heater)
12	00943.0000	4	Gasket, Tank Heater
13	28226.1000	1	Tank Heater, 1320W 120V (Includes two of item 12)
14	28173.0000	1	Thermal Cut-Off (Tank Heater to Upper Terminal Block)
15	23768.0000	1	Lead, Electrical BLU (Thermostat to Limit to Control Thermostat Lead)
16	28242.0000	1	Lead, Electrical WHI (Tank Heater Jumper)
17	28174.0000	1	Thermal Cut-Off Assembly (Tank Heater to Upper Terminal Block)
18	04636.1000	1	Tank Heater, 1800W 120V (Includes two of item 12)
19	11431.0002	1	Sprayhead Tube Kit (Includes 3 mounting nuts below & items 23 & 24)
	00908.0000	3	Nut, Hex #8-32
20	05515.0000	1	Gasket, Sprayhead tube
21	05518.0000	1	Hub, Syphon
22	01075.0000	1	Nut, Hex .438"-20
23	01082.0000	1	Sprayhead, 6-Hol
24	-----	-	Thermostat Lead (See Electrical and Operating Controls)
25	-----	-	Terminal Block, Upper (See Electrical and Operating Controls)

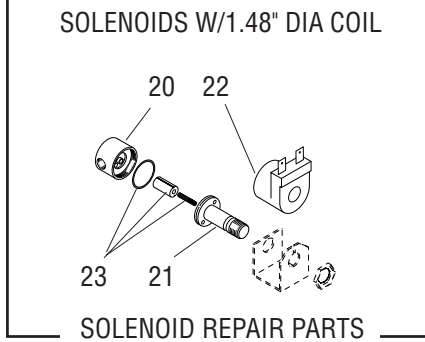
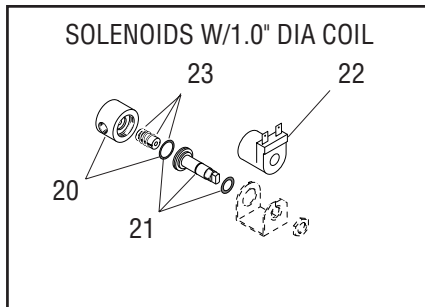
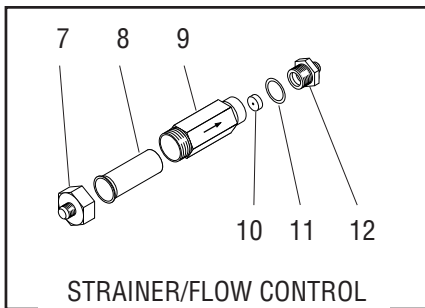
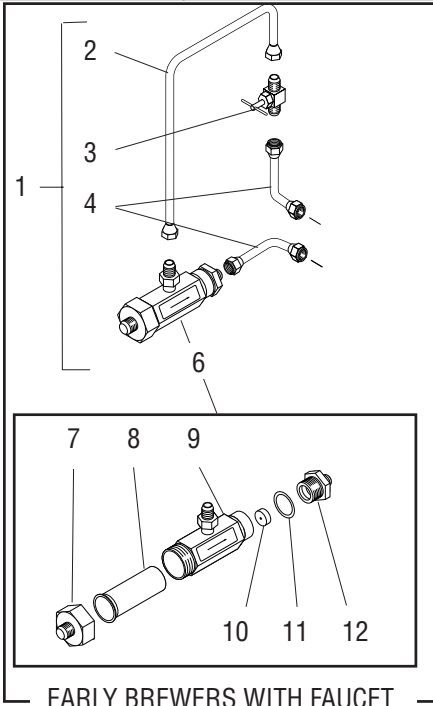


EXTERNAL STRAINER - FLOW CONTROL, SOLENOID AND LINES

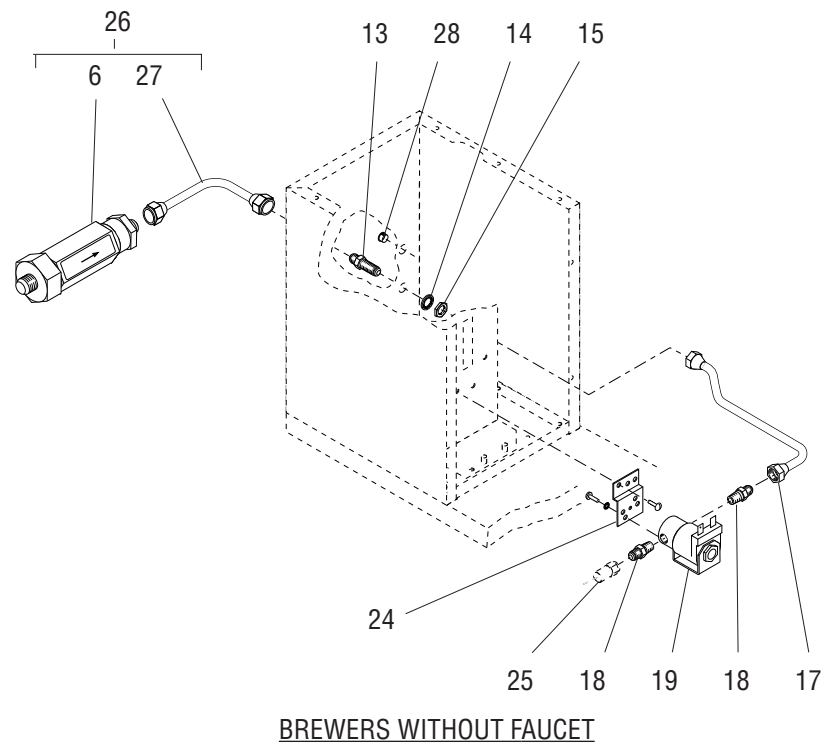
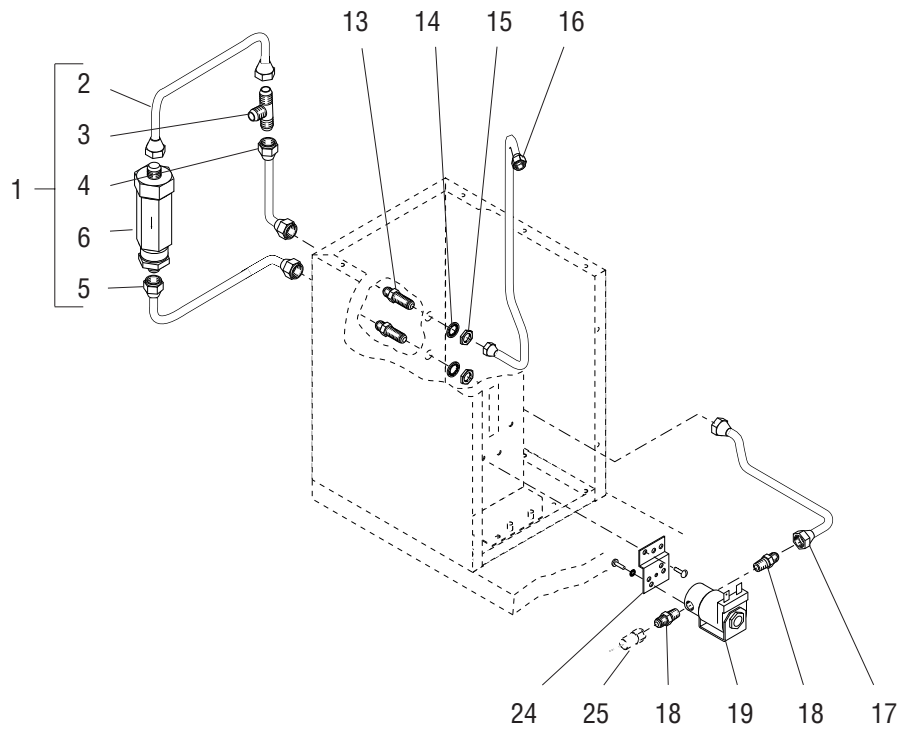
ITEM	PART NO.	QTY.	DESCRIPTION
			* FIRST TYPE ** SECOND TYPE
		*	**
1	----- 24394.0222 ----- 24394.0175	1 - 1 -	- 1 - 1
			Strainer/Flow Control Assembly (.222 GPM) (Includes items 2 thru 4 & 6)(Brewers with Faucet and 6-Hole Sprayhead) (Not Available. Order 24394.0222)
			Strainer/Flow Control Assembly (.222 GPM) (Includes items 2 thru 6)(Brewers with Faucet and 6-Hole Sprayhead)
			Strainer/Flow Control Assembly (.175 GPM) (Includes items 2 thru 4 & 6)(Brewers with Faucet and 5-Hole Sprayhead) (Not Available. Order 24394.0175)
			Strainer/Flow Control Assembly (.175 GPM) (Includes items 2 thru 6)(Brewers with Faucet and 5-Hole Sprayhead)
2	24393.0000 26216.0000	1 -	- 1
			Tube Assembly, Flow Control to Needle Valve
			Tube Assembly, Flow Control to Tee
3	00484.0001 20577.0001	1 -	- 1
			Needle Valve, .250" Flare
			Tee, .250" Flare
4	21812.0002 21814.0016	2 -	- 1
			Tube Assembly, Flow Control to Bulkhead and Needle Valve To Bulkhead
			Tube Assembly, Tee to Bulkhead
5	26217.0000	-	1
			Tube Assembly, Flow Control to Bulkhead
6	----- ----- 22300.0222 22300.0175	1 1 1 1	- - 1 1
			Strainer/Flow Control Assembly (.222 GPM)(Includes items 7 thru 12)(Brewers with Faucet and 6-Hole Sprayhead))(Not Available. Order item 1)
			Strainer/Flow Control Assembly (.175 GPM)(Includes items 7 thru 12)(Brewers with Faucet and 5-Hole Sprayhead))(Not Available. Order item 1)
			Strainer/Flow Control Assembly (.222 GPM)(Includes items 7 thru 12)(Brewers without Faucet and with 6-Hole Sprayhead)(Also used on Brewers with second type strainer/flow control and faucet)
			Strainer/Flow Control Assembly (.175 GPM)(Includes items 7 thru 12)(Brewers without Faucet and with 5-Hole Sprayhead)(Also used on Brewers with second type strainer/flow control and faucet)
7	22249.0000	1	1
			Fitting, Flow Control Inlet
8	23721.0000	1	1
			Screen
9	-----	1	1
			Body (Not Available. Order Item 6)
10	20526.1222 20526.1175	1 1	1 1
			Flow Washer/Gasket Set (.222 GPM) (Includes item 11)
			Flow Washer/Gasket Set (.175 GPM) (Includes item 11)
11	01155.0000	1	1
			Gasket, Flow Control
12	01154.0000	1	1
			Fitting, Flow Control Outlet
13	00459.0000	2	2
			Fitting, Bulkhead .250" Flare
14	01532.0000	2	2
			Lockwasher, Internal Tooth .438"
15	00463.0000	2	2
			Nut, Hex .438"-20
16	20690.0000	1	1
			Tube Assembly, Bulkhead to Coil
17	12645.0002	1	1
			Tube Assembly, Bulkhead to Solenoid
18	00402.0001	2	2
			Connector, Male .250" Flare x .125"MPT

} One less used on Brewers without Faucet

(Continued)

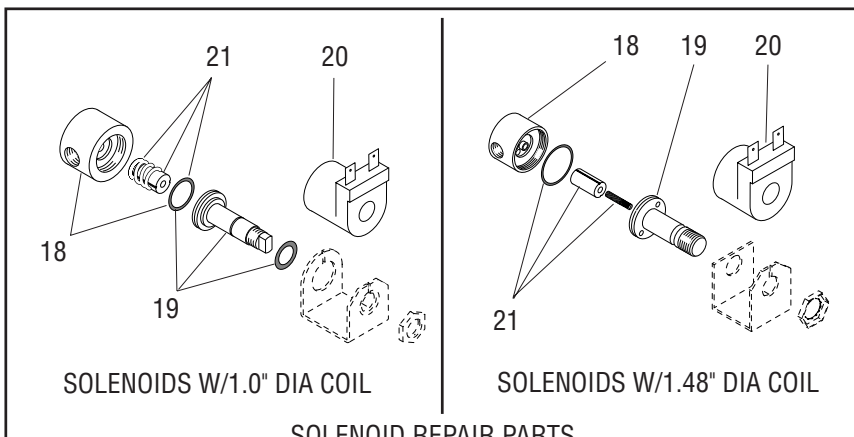
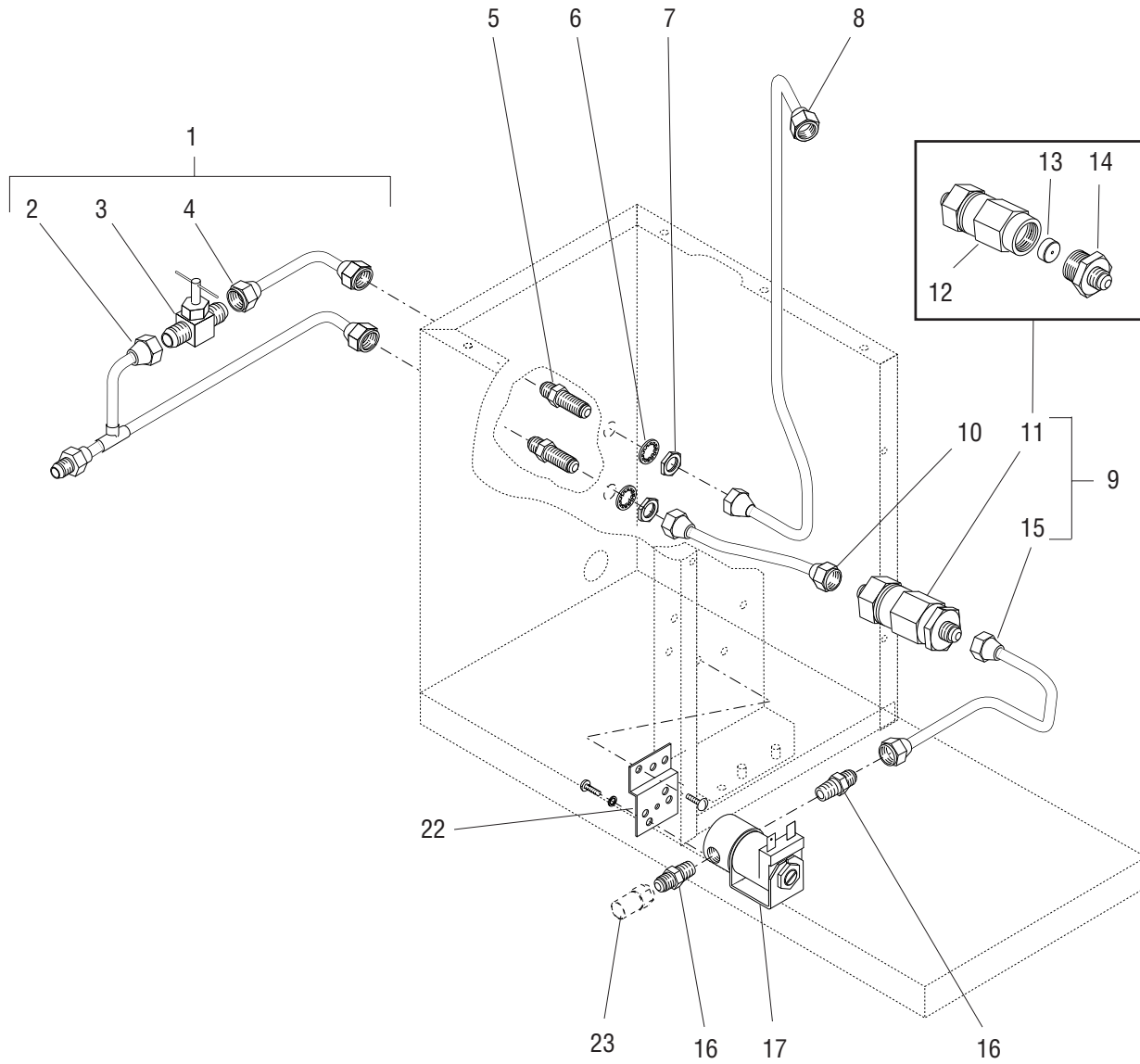


(Continued)



EXTERNAL STRAINER - FLOW CONTROL, SOLENOID AND LINES

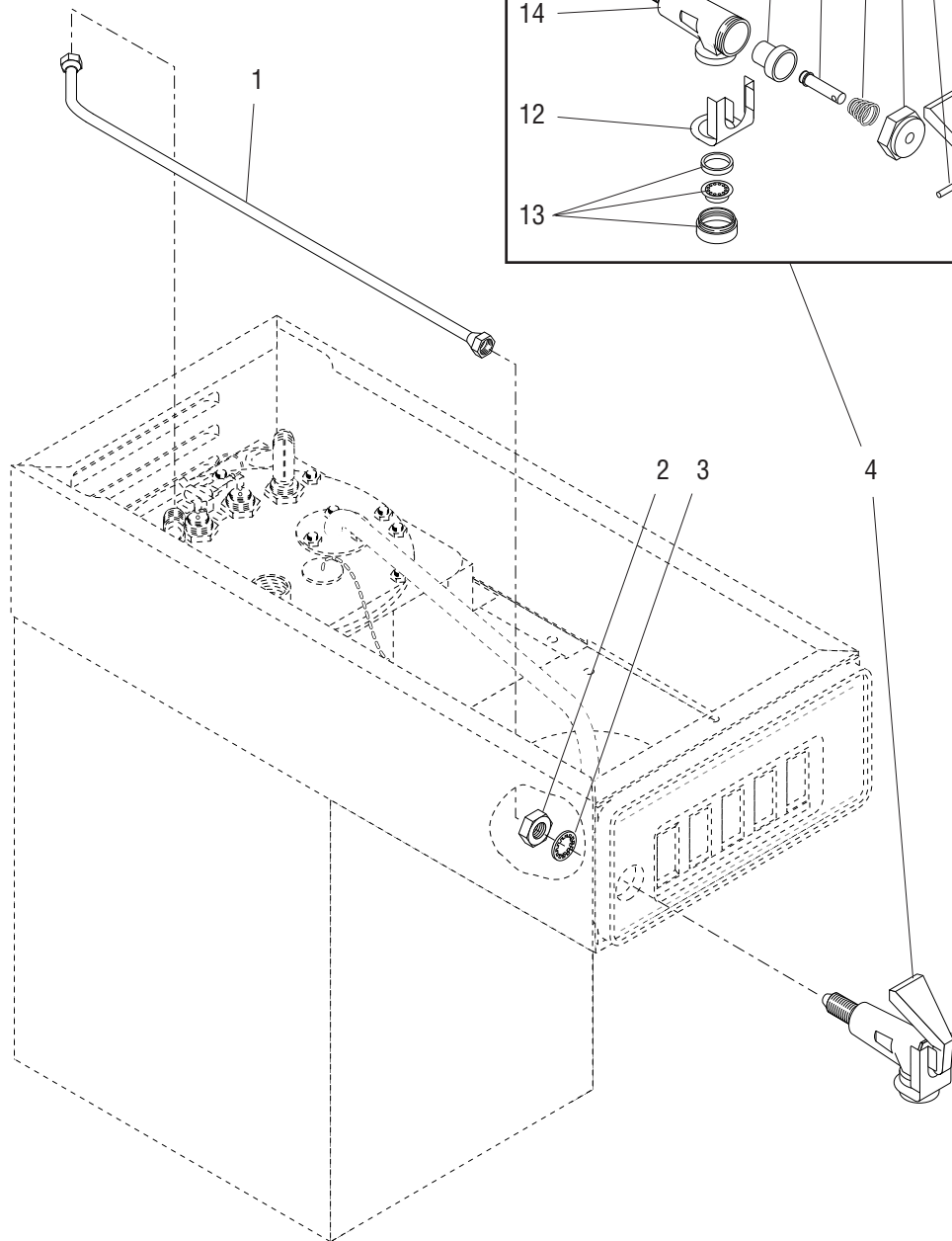
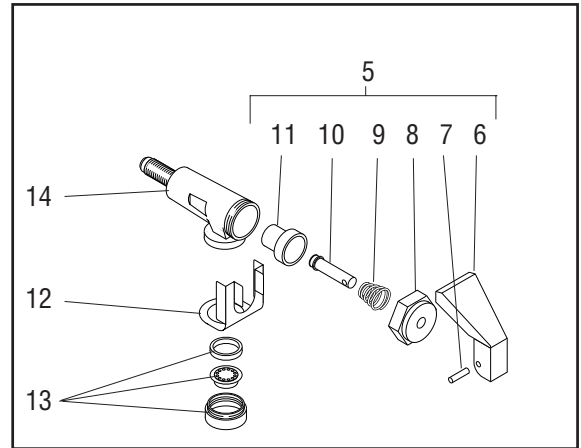
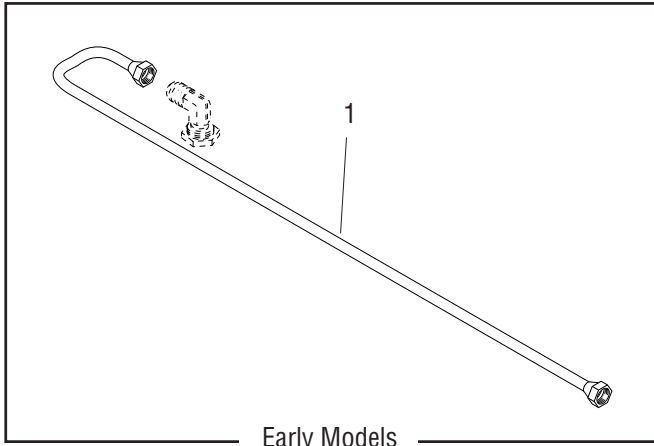
ITEM	PART NO.	QTY.		DESCRIPTION
				*FIRST TYPE
				**SECOND TYPE
		*	**	
19	-----	1	1	Solenoid Valve, 120V-1.48" Dia Coil (Not available, order 01085.0002)
	01085.0002	1	1	Solenoid Valve, 120V-1.0" Dia Coil
	21180.0000	1	1	Solenoid Valve, 200V
	01975.0000	1	1	Solenoid Valve, 240V
	01327.0000	2	2	Screw, Pan Head #10-32 x .375"
	01502.0000	2	2	Lockwasher, Split #10
20	01079.0000	1	1	Solenoid Valve Base - 1.48" Dia Coil (Not available, order 01085.0002)
	28479.0000	1	1	Solenoid Valve Base Kit - 1.0" Dia Coil (Includes O-ring)
21	01116.0000	1	1	Guide - 1.48" Dia Coil
	28481.0000	1	1	Guide Kit - 1.0" Dia Coil (Includes Washer & O-ring)
22	01101.0000	1	1	Solenoid Valve Coil, 120V - 1.48" Dia Coil
	28480.0000	1	1	Solenoid Valve Coil, 120V - 1.0" Dia Coil
	21181.0000	1	1	Solenoid Valve Coil, 200V
	01100.0000	1	1	Solenoid Valve Coil, 240V
23	01111.0000	1	1	Solenoid Valve Repair Kit - 1.48" Dia Coil (Includes Plunger, Seal and Spring)
	01111.0002	1	1	Solenoid Valve Repair Kit - 1.0" Dia Coil (Includes Plunger, Spring and O-ring)
24	07441.0000	1	1	Bracket, Solenoid Mounting
	02308.0000	2	2	Screw, Pan Head Serrated #8-32 x .375"
25	-----	1	1	Tube Assembly, Solenoid to Fill Basin (See FILL BASIN)
26	24356.0222	1	1	Strainer/Flow Control Assembly (.222 GPM) (Includes items 6 & 26)(Brewers without Faucet and with 6-Hole Sprayhead)
	24356.0175	1	1	Strainer/Flow Control Assembly (.175 GPM)(Includes items 6 & 26)(Brewers without Faucet and with 5-Hole Sprayhead)
27	00310.0000	1	1	Tube Assembly, Flow Control to Bulkhead
28	00670.0000	1	1	Plug, Hole .437" I.D. (Brewers without Faucet)



**INTERNAL STRAINER-FLOW CONTROL, SOLENOID AND LINES -
CWT, CWTF, CWTB & CWTFB**

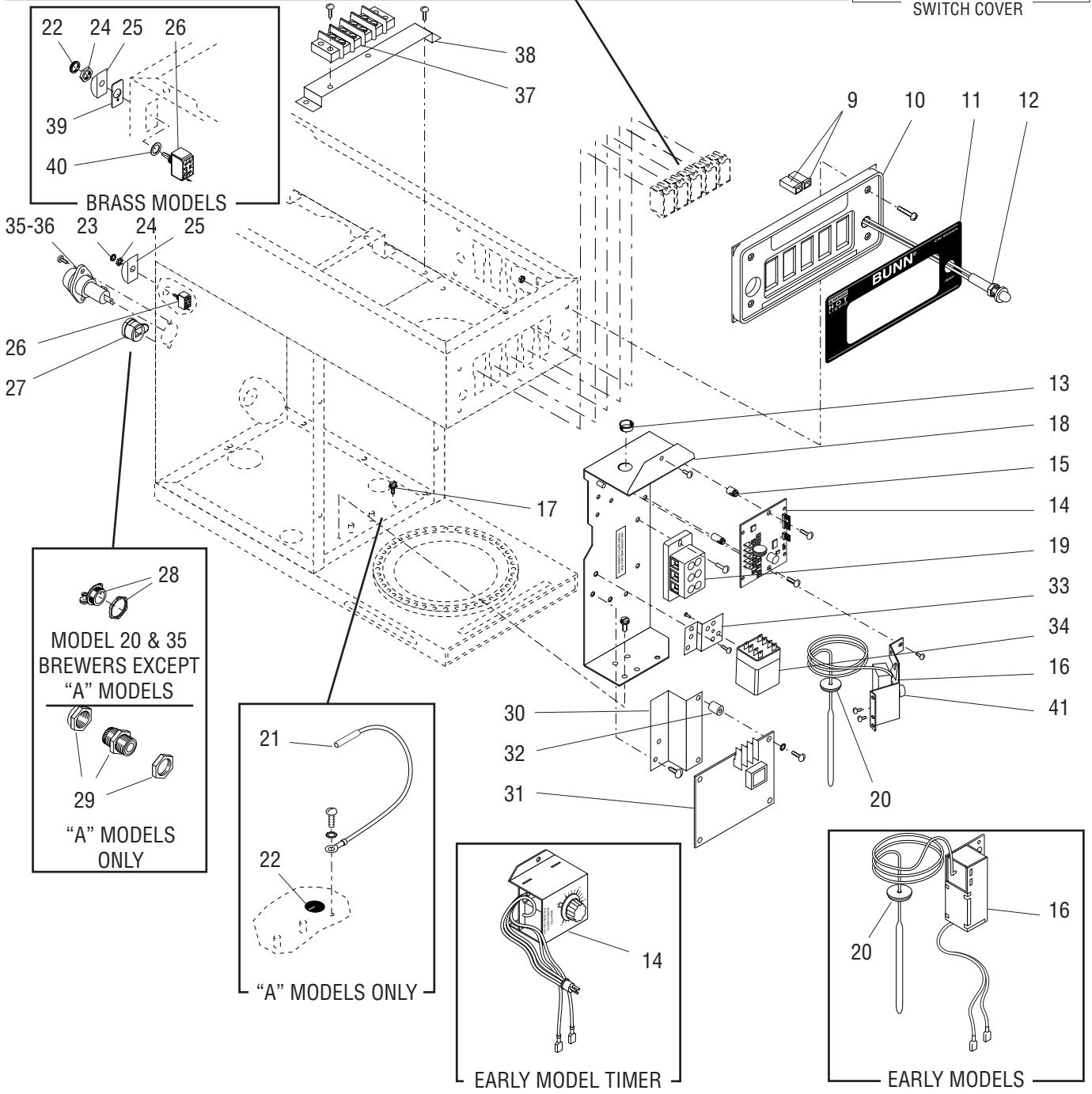
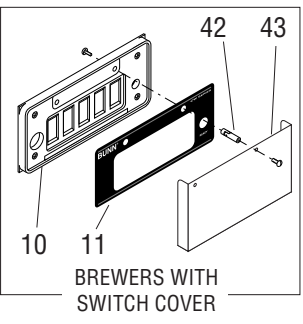
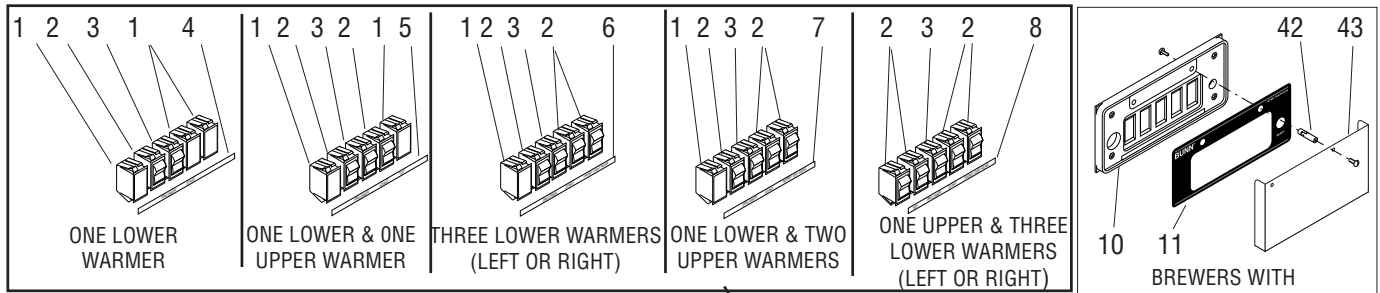
ITEM	PART NO.	QTY.	DESCRIPTION
1	20784.0000	1	Manifold/Needle Valve Assembly (Includes item 2, 3 & 4)(Brewers with Faucet)
2	20785.0000	1	Tube Assembly, Manifold
3	00484.0001	1	Needle Valve, .250" Flare
4	21812.0006	1	Tube Assembly, Needle Valve to Bulkhead
5	00459.0000	2	Fitting, Bulkhead .250" Flare
6	01532.0000	2	Lockwasher, Internal Tooth .438"
7	00463.0000	2	Nut, Hex .438"-20
8	20690.0000	1	Tube Assembly, Bulkhead to Coil (Brewers with Faucet)
9	20783.0000	1	Strainer/Flow Control Assembly (Includes items 10, 11 & 15)
10	20782.0000	1	Tube Assembly, Bulkhead to Strainer/Flow Control
11	01148.0001	1	Strainer/Flow Control Assembly (Includes items 12, 13 & 15)
12	-----	1	Strainer/Flow Control Body and Screen Assembly (Not available. Order item 11)
13	20526.0222	1	Flow Washer, .222 GPM
14	-----	1	Fitting and Gasket, Flow Control Outlet (Not available. Order item 11)
15	20786.0000	1	Tube Assembly, Strainer/Flow Control to Solenoid
16	00402.0001	2	Connector, Male .250" Flare x .125 MPT
17	-----	1	Solenoid Valve, 120V - 1.48" Dia Coil (Not available, order 01085.0002)
	01085.0002	1	Solenoid Valve, 120V - 1" Dia Coil
	21180.0000	1	Solenoid Valve, 200V
	01327.0000	2	Screw, Pan Head #10-32 x .375"
	01502.0000	2	Lockwasher, Split #10
18	01079.0000	1	Solenoid Valve Base - 1.48" Dia Coil
	28479.0000	1	Solenoid Valve Base Kit - 1" Dia Coil (Includes O-ring)
19	01116.0000	1	Guide - 1.48" Dia Coil
	28481.0000	1	Guide Kit - 1" Dia Coil (Includes Washer & O-ring)
20	01101.0000	1	Solenoid Valve Coil, 120V - 1.48" Dia
	28480.0000	1	Solenoid Valve Coil, 120V - 1" Dia
	21181.0000	1	Solenoid Valve Coil, 200V
21	01111.0000	1	Solenoid Valve Repair Kit - 1.48" Dia Coil (Includes Plunger, Seal and Spring)
	01111.0002	1	Solenoid Valve Repair Kit - 1" Dia Coil (Includes Plunger, Spring and O-ring)
22	07441.0000	1	Bracket, Solenoid Mounting
	02308.0000	2	Screw, Pan Head Serrated #8-32 x .375"
23	-----	1	Tube Assembly, Solenoid to Fill Basin (See Fill Basin)

} One less used on
Brewers without
Faucet



FAUCET AND TUBING

ITEM	PART NO.	QTY.	DESCRIPTION
1	20691.0001	1	Tube Assembly, Coil to Faucet (Early Models)
	20691.0000	1	Tube Assembly, Coil to Faucet (Late Models)
2	13059.0000	1	Faucet Jam Nut
3	01532.0000	1	Lockwasher, Internal Tooth .438" I.D.
4	12915.0000	1	Faucet, Hot Water (Includes items 5 thru 14)
5	13061.0000	1	Faucet Handle/Stem Assembly (Includes items 6 thru 11)
6	13053.0000	1	Faucet Handle Kit (Includes item 7)
7	02858.0000	1	Pin, Spring .125" Dia x .50"
8	13060.0000	1	Faucet Bonnet Nut
9	13055.0000	1	Faucet Spring
10	13054.0000	1	Faucet Stem
11	13056.0000	1	Faucet Seat Cup
12	13057.0000	1	Faucet Safety Clip
13	13058.0000	1	Faucet Aerator Kit
14	-----	1	Body, Faucet (Not available. Order item 4)

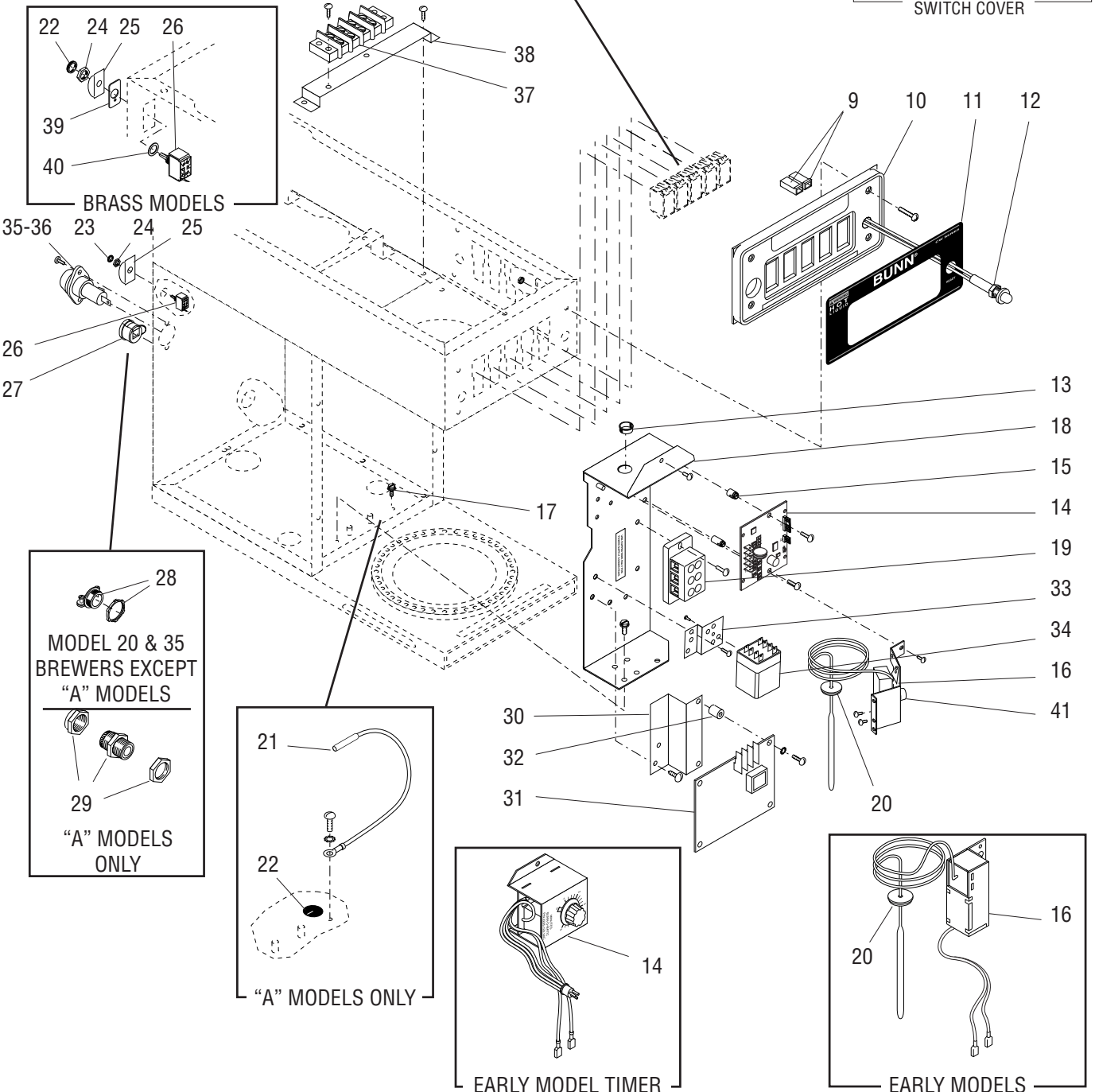
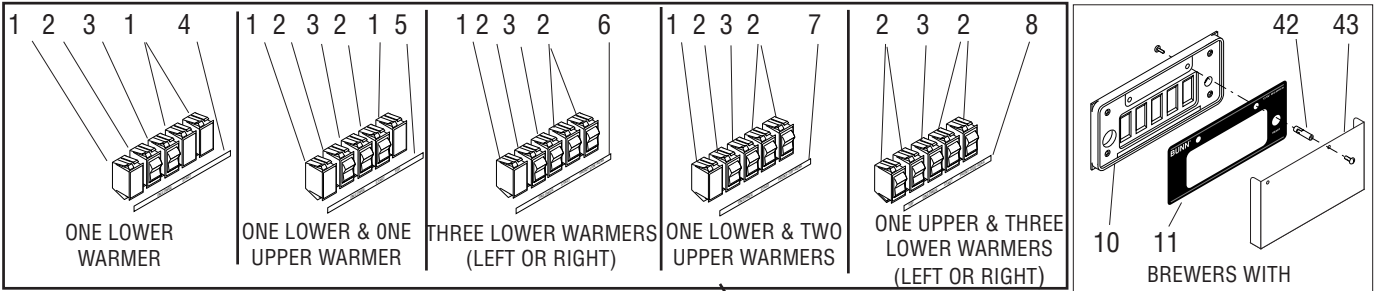


ELECTRICAL AND OPERATING CONTROLS

ITEM	PART NO.	QTY.	DESCRIPTION
1	12921.0000	-	Switch Blank, BLK
2	12920.0000	-	Switch ON/OFF 120V
	12920.0002	-	Switch ON/OFF 240V
			} Use as required
3	01063.0000	1	Switch, Momentary Start
4	22295.0004	1	Label, Switch ON/OFF (One warmer brewer)
5	22295.0005	1	Label, Switch ON/OFF (Two warmer brewer)
6	22295.0006	1	Label, Switch ON/OFF (Three lower warmer brewer left or right)
7	22295.0010	1	Label, Switch ON/OFF (One lower warmer and two upper warmer brewer)
8	22295.0007	1	Label, Switch ON/OFF (Four warmer brewer)
9	04243.0000	2	Terminal Housing, Receptacle
10	13352.0008	1	Control Panel
	13352.0011	1	Control Panel (Brewers with Switch Guard)
	02301.0000	4	Screw, Phillip Pan Head #6-32 x .625"
	00973.0000	4	Nut, Keps #6-32
11	22289.0003	1	Decal, Control Panel (W/Faucet and Ready Light)
	22289.0001	1	Decal, Control Panel (W/Ready Light)
	22289.0000	1	Decal, Control Panel (W/Out Faucet and Ready Light)
	22289.0002	1	Decal, Control Panel (W/Faucet)
	22289.0006	1	Decal, Control Panel (W/Faucet and Fresh Light)
	22289.0013	1	Decal, Control Panel (W/Switch Guard, Faucet and Ready Light)
12	12984.0002	1	Light Assembly, 120V Green
	12984.0004	1	Light Assembly, 120V/240V & 240V Green
	12517.0003	1	Lamp Assembly, 120V LED Red(Brewers W/ Fresh Light)
	25292.0000	1	Lockwasher M6
	34130.0000	1	Nut M6
			} Includes Item 9
13	00606.0000	1	Bushing, Snap .875" Dia
14	-----	1	Timer, 5 Min. 120V
	-----	1	Timer, 5 Min. 240V
			} Early models. Order item 57
	32400.0002	1	Timer Kit, Digital 120V
	32400.0003	1	Timer Kit, Digital 240V
			} Late models
	02308.0000	1	Screw, Pan Head-Serrated #8-32 x .375" (Early models)
	01320.0000	1	Screw, Round Head #8-32 x 1.0" (Late models)
	12919.0008	1	Cap, Terminal (not illustrated)
15	32530.0000	1	Spacer, Nylon .31" (Early Digital Timer)
	32530.0001	2	Spacer, Nylon .50" (1 less used W/Early Digital Timer)
16	28319.0000	1	Thermostat Kit (Includes item 41) (Replaces Thermostat W/Leads)
	04314.0001	1	Thermostat Kit (Includes item 41) (Replaces Thermostats W/Out Leads)
	02308.0000	1	Screw, Pan Head #8-32 x .375" (Mounting)
	20762.0000	2	Screw, Binding Head #8-32 x .25" (Terminal)
17	02337.0001	1	Screw, Hex Head #10 x .375" (Cord Ground. Not used on "A" Models)
	01309.0000	1	Screw, Pan Head #10 x .50" (Cord Ground - Brass Models)

(Continued)

(Continued)

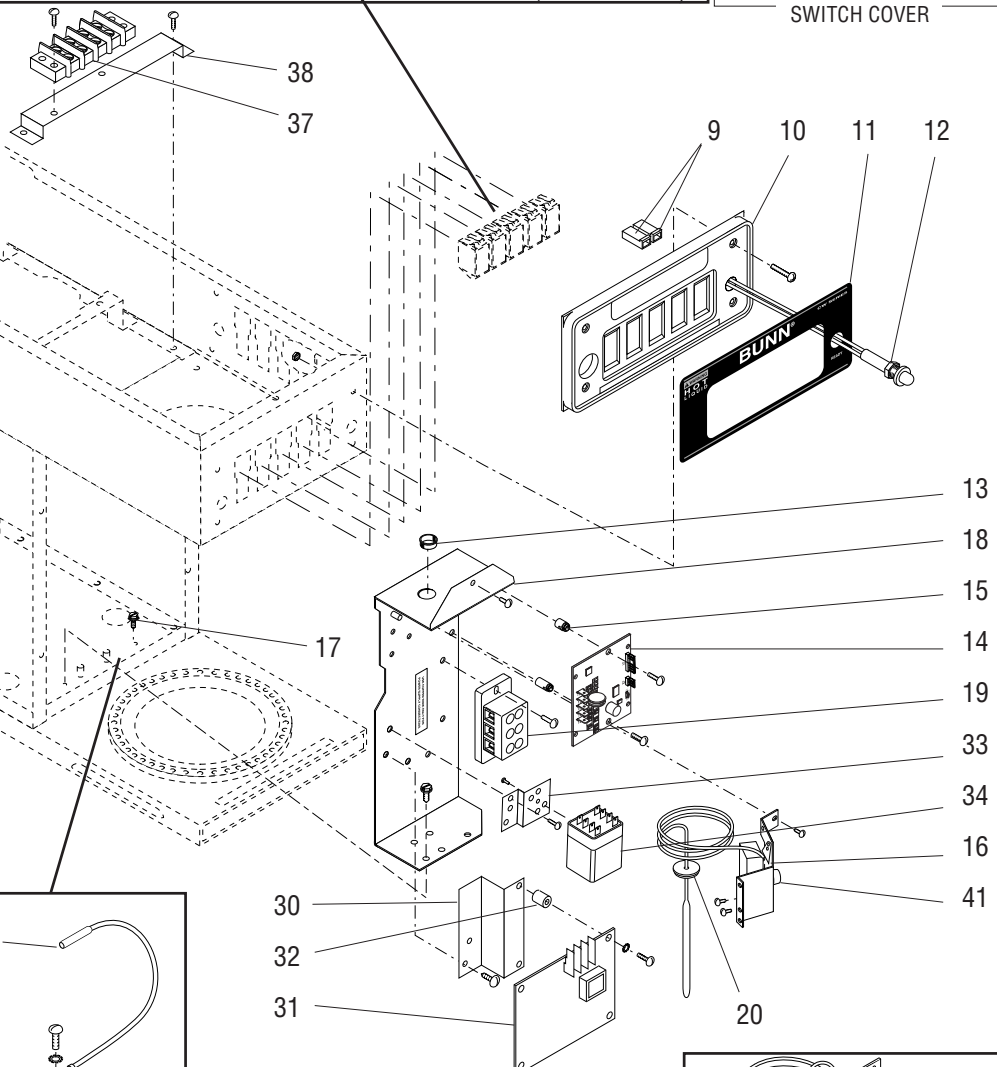
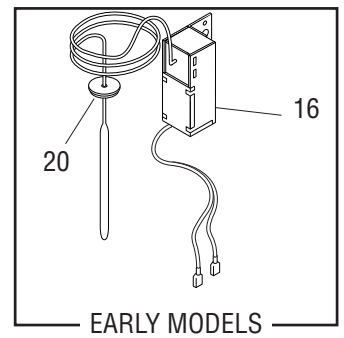
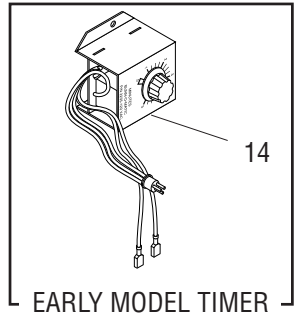
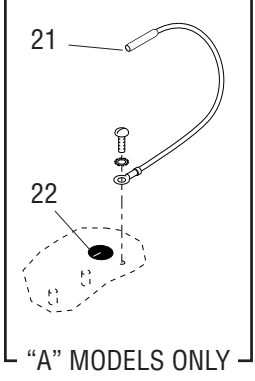
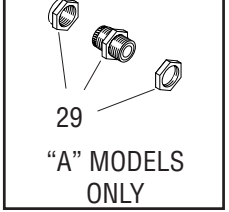
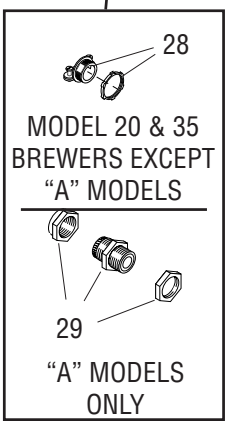
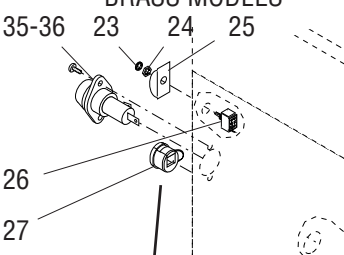
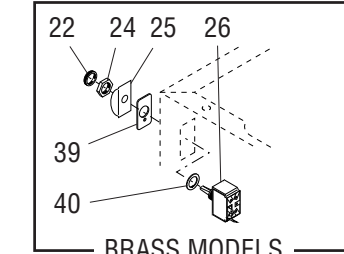
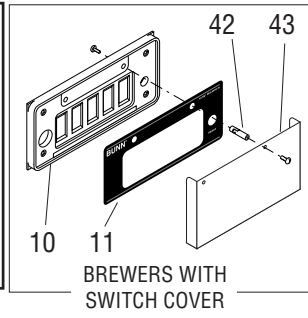
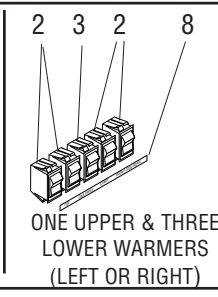
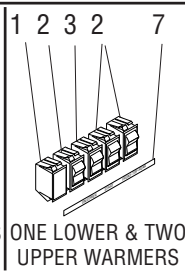
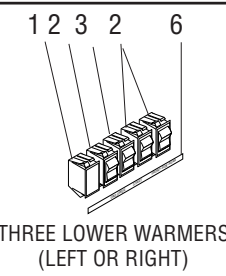
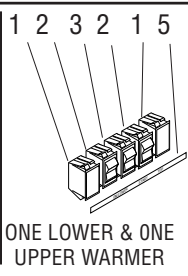
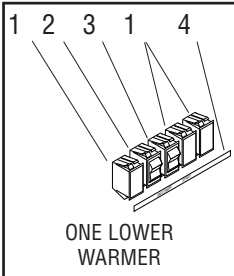


ELECTRICAL AND OPERATING CONTROLS

ITEM	PART NO.	QTY.	DESCRIPTION	
18	12698.0000	1	Bracket Assembly, Component Mounting	
	01347.0000	1	Screw, Truss Head #6-32 x .375" (Early models)	
	02308.0000	1	Screw, Pan Head #8-32 x .375" (Late models)	
	02332.0001	1	Screw, Hex-Crimptite #6 x .250"	
19	01106.0000	1	Terminal Block, 2 Pole-White/Black	
	07038.0000	1	Terminal Block, 3 Pole-Red/White/Black	
	01317.0000	2	Screw, Truss Head #8-32 x .50"	
20	07073.0000	1	Grommet, Thermostat	
21	21016.0113	1	Lead, Electrical Grn/Yel 7.0" LG (Ground to white pole in terminal block)	"A" Models Only
	01375.0000	1	Screw, Pan Head - Brass #10-32 X .500"	
	01512.0000	1	Lockwasher, External Tooth #10	
22	00824.0000	1	Decal, Ground	
23	23697.0000	1	Facenut, Plastic	
24	23696.0000	1	Nut, Hex	
25	25102.0000	1	Bracket, Switch Indicator/Guard	
26	23522.0000	1	Switch, ON/OFF Toggle (Includes item 24)	
27	01686.0000	1	Bushing, Strain Relief (Model 15 Brewers)	
28	01685.0000	1	Connector, Cable .50 MPT (Model 20 & 35 Brewers except "A" Models)	
29	05746.0000	1	Bushing, Strain Relief ("A" Models Only)	
30	24656.0000	1	Bracket, Circuit Board Mounting	Brewers W/Fresh Light
	01315.0000	2	Screw, Truss Head #8-32 x .38"	
31	13025.1000	1	Circuit Board, Fresh Light	
	01338.0000	2	Screw, Truss Head #8-32 x .62"	
	01511.0000	2	Lockwasher, External Tooth #8	
32	01533.0002	2	Spacer, Nylon .171" I.D. x .375" O.D. x .30" LG	
33	07441.0000	1	Bracket, Relay Mounting	Brewers W/Recovery Booster only
	02308.0000	2	Screw, Pan Head #8-32 x .375"	
34	11111.0000	1	Relay, 120V (Includes item 32)	
	01347.0000	1	Screw, Truss Head #6-32 x .375"	
35	28176.0000	1	Fuse Holder (CWTF-MV Models)	
	02308.0000	2	Screw, Truss Head #8-32 x .375"	
36	22012.0002	1	Fuse, SC Series (CWTF-MV Models. Not Illustrated)	
37	28177.0000	1	Terminal Block, Upper (CWTF-MV Models)	
	01317.0004	2	Screw, Truss Head 3*-32 x .625"	
38	28179.0000	1	Bracket, Terminal Block Mounting (CWTF-MV Models)	
39	23493.0000	1	Adapter Plate, Switch	Brass Models Only
40	23688.0000	1	Washer, Anti-Rotation Lock	

(Continued)

(Continued)

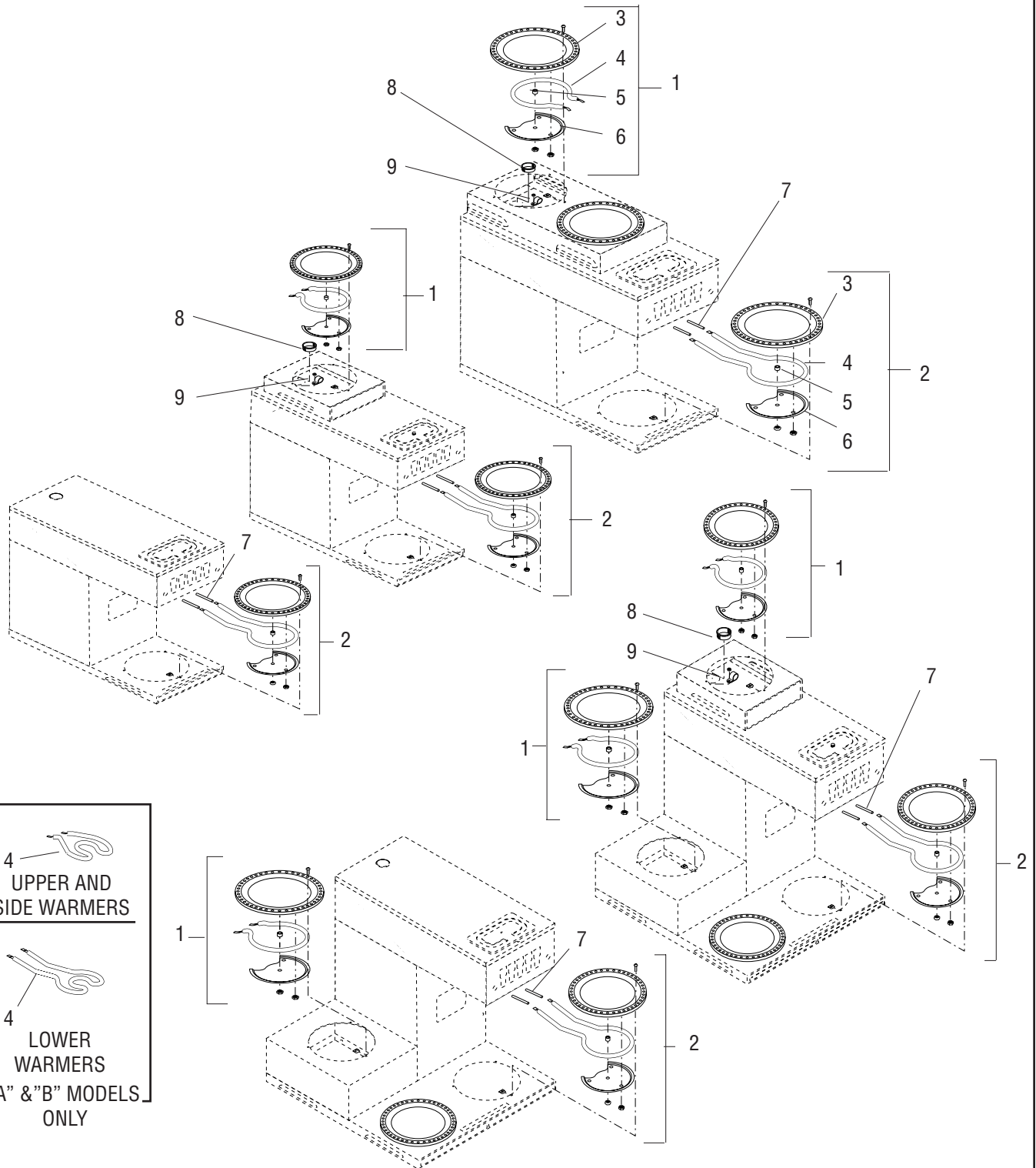


ELECTRICAL AND OPERATING CONTROLS

ITEM	PART NO.	QTY.	DESCRIPTION
41	00720.0000	1	Knob, Thermostat
42	12148.0000	2	Spacer, Hinged
	01308.0000	2	Screw, Truss-Head #6-32 x .25"
	01510.0000	2	Lockwasher, Ext.-toothed #6
43	27429.0002	1	Cover, Switch
	01308.0000	2	Screw, Truss-Head #6-32 x .25"
Note: The following items are not illustrated.			
44	01719.0000	1	Power Cord Assembly (Model 15 Brewers Only)
45	12985.0000	1	Wiring Harness, Ready Light
46	21002.9000	1	Lead Assembly, 18 AWG BLU 14.5"LG Control Thermostat to Ready Light (CWTF-MV Models)
47	25328.0000	1	Wiring Harness, Main 120V (Early Models)
	33985.0000	1	Wiring Harness, Main 120V (Late Models)
	34005.0000	1	Wiring Harness, Main 120V (Models without Warmers)
	25329.0000	1	Wiring Harness, Main 120V/240V (Early Models)
	34023.0000	1	Wiring Harness, Main 120V/240V (Late Models)
	25329.0002	1	Wiring Harness, Main 120V/240V (Models without Warmers)
	25328.0003	1	Wiring Harness, Main (CWTF-MV Models)(Early Models)
	34111.0000	1	Wiring Harness, Main (CWTF-MV Models)(Late Models)
	25328.0001	1	Wiring Harness, Main 200V & 240V
48	28175.0000	1	Wiring Harness, Thermostat/Ready Light to Upper Terminal Block (CWTF-MV Models)
49	13222.0000	1	Wiring Harness, Fresh Light
50	13239.0001	1	Lead Assembly, LED Lamp (18" Long)
	01570.0000	2	Wire Nut, 2-24AWG - Yellow
51	12919.0000	-	Cap, Terminal (Use as required)
52	25347.0000	1	Wiring Harness, 120/240V Thermostat to Tank Heater
53	27018.0000	1	Wiring Harness, 120/240V Relay to Thermostat
54	25907.0000	1	Lead Assy, BLK Relay to Solenoid
55	25907.0001	1	Lead Assy, WHT Relay to Solenoid
56	29445.1000	1	Wiring Harness, Digital Timer (Early models with Digital Timer)
57	32400.0000	-	Timer Kit, Digital 120V
	32400.0001	-	Timer Kit, Digital 240V

} Brewers With Recovery Booster only

} Replaces Early Model Timer W/Digital Timer



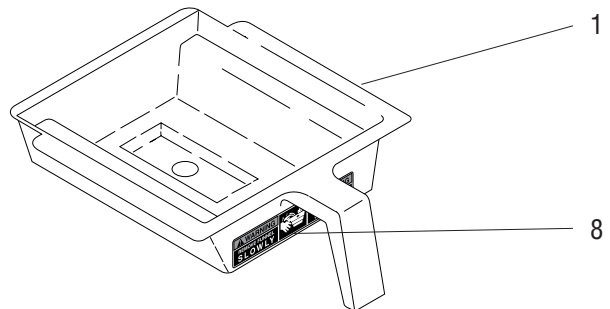
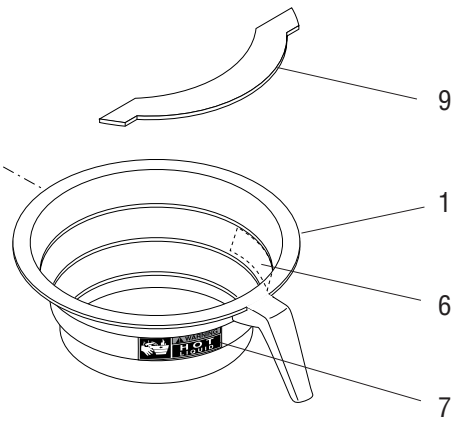
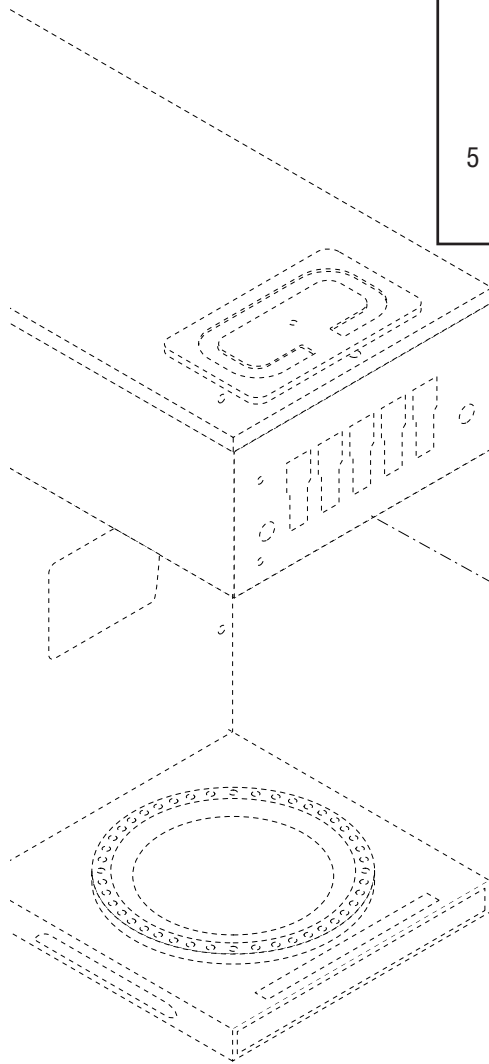
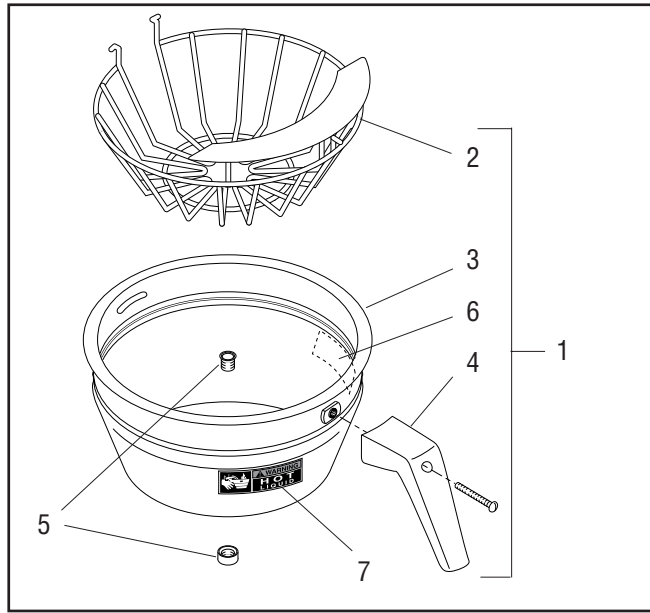
4
UPPER AND
SIDE WARMERS

4
LOWER
WARMERS
"A" & "B" MODELS
ONLY

WARMER ASSEMBLIES

ITEM	PART NO.	QTY.	DESCRIPTION
1	03652.0000	1	Warmer Assembly 100W 120V, Top and Side Warmers (Includes items 3 thru 6)
	11440.0009	1	Warmer Assembly 100W 220V, Top and Side Warmers (Includes items 3, 4 & 6)
	11440.0010	1	Warmer Assembly 100W 200V, Top and Side Warmers (Includes items 3, 4 & 6)
	01303.0000	3	Screw, Pan Head - SST #4-40 x .50"
	01303.0001	3	Screw, Pan Head - Brass #4-40 x .50"
	00916.0000	3	Fastener, J-Type #4-40
2	11440.0005	1	Warmer Assembly 100W 120V, Base Warmers (Includes items 3 thru 6)
	11440.0008	1	Warmer Assembly 100W 220V, Base Warmers (Includes items 3, 4 & 6)
	11440.0011	1	Warmer Assembly 100W 200V, Base Warmers (Includes items 3, 4 & 6)
	01303.0000	3	Screw, Pan Head - SST #4-40 x .50"
	01303.0001	3	Screw, Pan Head - Brass #4-40 x .50"
	00916.0000	3	Fastener, J-Type #4-40
3	03656.0000	1	Warmer Dish, Blk 45 Hole
4	01227.0000	1	Warmer Element 100W 120V Top and Side Warmers
	01951.0000	1	Warmer Element 100W 220V Top and Side Warmers ("A" Models)
	01951.0001	1	Warmer Element 100W 200V Top and Side Warmers ("B" Models)
	11442.0000	1	Warmer Element 100W 120V Base Warmers
	11438.0000	1	Warmer Element 100W 220V Base Warmers ("A" Models)
	11438.0001	1	Warmer Element 100W 200V Base Warmers ("B" Models)
5	13042.0001	1	Spacer, .174" I.D. x .188 (Not Used on "A" & "B" Models)
6	05212.0000	1	Plate, Element Retaining
	00970.0000	2	Nut, Keps #8-32
7	-----	2	Tube, Silicone .250" Dia x 1.88" LG. (Order Item 12)
8	-----	1	Bushing, Snap 1.188" Dia. (See Hood And Top Covers)
9	28382.0000	1	Clamp, Routing
	00908.0000	1	Nut, Hex #8-32 (Early Models)
	02332.0003	1	Screw, Hex-Crimptite #6-32 x .375" (Late Models)
10	21016.0011	1	Lead, Electrical, Lower Warmers GRN/YEL 15" LG
	21016.0012	1	Lead, Electrical, Two Top Warmers GRN/YEL 10" LG
	21016.0027	2	Lead, Electrical, GRN/YEL 26" LG Top Warmer
11	25348.0000	1	Wiring Harness, One Rear Top Warmer Brewers 120V
	25348.0002	1	Wiring Harness, One Front Top Warmer Brewers 120V
	25348.0001	1	Wiring Harness, One Rear Top Warmer Brewers 240V
	25348.0003	1	Wiring Harness, Two Top Warmer Brewers 120V
	25326.0000	1	Wiring Harness, Four Warmer Brewers 120V
	25326.0001	1	Wiring Harness, Four Warmer Brewers 240V
12	04828.1001	-	Tube, Silicone .250" Dia. x 24" LG (Use as required)
13	24204.0001	1	Wiring Harness, Three Warmer Brewers 120V & CWTF-MV Models
	12922.0002	1	Wiring Harness, Three Warmer Brewers 240V

"A"
 Models
 Only
 Not
 Illustrated



FUNNELS AND FILTER BASKET

ITEM	PART NO.	QTY.	DESCRIPTION
1	20583.0003	1	Funnel W/Decals, Plastic (Black 7.25' Dia) (Includes items 6, 7 and 8)
	20583.0006	1	Funnel W/Decals, Plastic (Orange 7.25" Dia) (Includes items 6, 7 and 8)
	20583.0002	1	Funnel W/Decals, Plastic (Smoke 7.25" Dia) (Includes items 6, 7 and 8)
	20216.0000	1	Funnel Assy, SST W/Black Handle (7.125" Dia) (Includes items 2 thru 5)
	20216.0001	1	Funnel Assy, SST W/Orange Handle (7.125" Dia) (Includes items 2 thru 5)
	20217.0000	1	Funnel Assy, SST W/Black Handle (7.625" Dia) (Includes items 2 thru 5)
	20217.0001	1	Funnel Assy, SST W/Orange Handle (7.625" Dia) (Includes items 2 thru 5)
	04274.0002	1	Funnel W/Decals, Pouch-Pack Black (Large) (7.125") (Includes item 8)
2	33088.0000	1	Filter Basket (7.125" Dia)
	33090.0000	1	Filter Basket (7.625" Dia)
3	28553.0000	1	Funnel W/Decals, SST (7.125" Dia) (Includes items 6 and 7)
	28554.0000	1	Funnel W/Decals, SST (7.625" Dia) (Includes items 6 and 7)
4	20244.1000	1	Handle Kit, Black (Includes Screw)
	20244.1001	1	Handle Kit, Orange (Includes Screw)
	01331.0002	1	Screw, Round Head #10-32 x 1.50"
5	01031.0000	1	Funnel Tip Kit
6	03408.0002	1	Decal, Warning-remove Funnel
7	03409.0002	1	Decal, Warning-Hot Liquid
8	28694.0000	1	Decal, Warning-Hot Liquid/Remove Funnel
9	32964.0000	1	Splash Guard

NUMERICAL INDEX

PART NO.	PAGE NO.	PART NO.	PAGE NO.	PART NO.	PAGE NO.	PART NO.	PAGE NO.
00310.0000	25	01345.0000	5,9	04637.1000	17,19	13042.0001	37
00400.0001	19,21	01347.0000	7,31,33	04828.1001	37	13053.0000	29
00402.0001	23,27	01375.0000	33	05212.0000	37	13054.0000	29
00459.0000	23,27	01382.0000	5,9	05515.0000	17,19,21	13055.0000	29
00463.0000	23,27	01382.0002	5,9	05518.0000	17,19,21	13056.0000	29
00484.0001	23,27	01502.0000	25,27	05746.0000	33	13057.0000	29
00511.0000	5,9	01510.0000	33	07038.0000	33	13058.0000	29
00606.0000	31	01511.0000	33	07073.0000	33	13059.0000	29
00656.0000	5,7,9	01512.0000	33	07441.0000	25,27,33	13060.0000	29
00658.0000	5,7,9	01532.0000	23,27,29	10447.0000	7	13061.0000	29
00670.0000	5,7,9,25	01533.0002	33	10836.0000	5,7,9	13222.0000	35
00720.0000	33	01570.0000	35	10836.0005	5,9	13239.0001	35
00824.0000	33	01592.0000	5,9,11,13	10836.0006	5	13255.0005	5
00831.0000	5,7,9	01592.0001	11	11111.0000	33	13350.0006	11
00908.0000	17,19,21,37	01593.0000	5,7,9	11431.0002	17,19,21	13350.0011	11
00912.0000	7,11,13,17, 19,21	01685.0000	33	11435.0000	7	13350.0016	11
00916.0000	11,13,37	01686.0000	33	11438.0000	37	13352.0008	31
00942.0000	17,19,21	01719.0000	35	11438.0001	37	13352.0011	31
00943.0000	17,19,21	01925.1000	17,19	11440.0005	37	20211.0100	19
00970.0000	7,13,37	01927.0000	17,19	11440.0008	37	20216.0000	39
00973.0000	5,9,31	01951.0000	37	11440.0009	37	20216.0001	39
00988.0000	5,7,9	01951.0001	37	11440.0010	37	20217.0000	39
01031.0000	39	01975.0000	25	11440.0011	37	20217.0001	39
01063.0000	31	02301.0000	31	11442.0000	37	20244.1000	39
01075.0000	17,19,21	02308.0000	5,7,9,11,13, 25,27,31,33	11707.1001	15	20244.1001	39
01079.0000	25,27	02322.0003	13	12148.0000	33	20526.1175	23
01082.0000	17,19,21	02332.0001	31	12364.0000	5,7,9	20526.0222	27
01082.0004	17,19	02332.0002	5,9	12422.0000	15	20526.1222	23
01082.0007	17,19	02332.0003	37	12516.0003	31	20577.0001	23
01085.0002	25,27	02337.0001	31	12645.0002	23	20583.0002	39
01100.0000	25	02722.0000	11,13	12655.0001	13	20583.0003	39
01101.0000	25,27	02722.0001	11	12656.0001	13	20583.0006	39
01106.0000	33	02732.0000	11	12667.0001	9	20690.0000	23,27
01111.0000	25,27	02765.0000	11,13	12673.0001	7	20691.0000	29
01111.0002	25,27	02858.0000	29	12687.0000	19,21	20691.0001	29
01116.0000	25,27	02999.0000	11	12688.0000	19,21	20762.0000	31
01148.0001	27	03011.0000	7	12689.1000	19,21	20782.0000	27
01154.0000	23	03359.0001	5,9	12698.0000	31	20783.0000	27
01155.0000	23	03408.0002	39	12913.0000	15	20784.0000	27
01201.0000	15	03409.0002	39	12914.0002	15	20785.0000	27
01212.0000	15	03652.0000	37	12915.0000	29	20786.0000	27
01227.0000	37	03656.0000	37	12919.0000	35	20941.1000	17,19
01303.0000	11,37	03993.0000	5,9	12919.0008	31	21002.9000	35
01303.0001	13,37	03996.0000	5,9	12920.0000	31	21016.0011	37
01308.0000	33,35	04118.0000	17,19,21	12920.0002	31	21016.0012	37
01309.0000	31	04119.0000	17,19,21	12921.0000	31	21016.0027	37
01315.0000	11,17,19,21,33	04133.0000	17,19	12922.0002	37	21016.0113	33
01315.0003	7	04221.0000	17,19,21	12928.0000	15	21180.0000	25,27
01317.0000	33	04236.1000	17,19	12949.0001	17,19	21181.0000	25,27
01317.0004	33	04243.0000	31	12949.0002	17,19	21812.0002	23
01319.0000	11	04260.0000	17,19,21	12949.0003	17,19	21812.0006	27
01320.0000	31	04270.0002	15	12984.0002	31	21814.0016	23
01327.0000	25,27	04274.0002	39	12984.0004	31	22012.0002	33
01331.0002	39	04314.0001	31	12985.0000	35	22249.0000	23
01338.0000	33	04636.1000	17,19,21	13018.0200	5,9	22289.0000	31
				13025.1000	33	22289.0001	31

NUMERICAL INDEX

PART NO.	PAGE NO.	PART NO.	PAGE NO.	PART NO.	PAGE NO.	PART NO.	PAGE NO.
22289.0002	31	25158.0003	19	28226.1000	21		
22289.0003	31	25158.0004	21	28242.0000	21		
22289.0006	31	25292.0000	31	28258.0000	11		
22289.0013	31	25310.0001	11	28319.0000	31		
22295.0004	31	25319.1000	17	28382.0000	37		
22295.0005	31	25319.1001	17	28479.0000	25,27		
22295.0006	31	25319.1002	17	28480.0000	25,27		
22295.0007	31	25320.1000	19	28481.0000	25,27		
22295.0010	31	25320.1001	19	28526.1000	15		
22300.0175	23	25320.1002	19	28553.0000	39		
22300.0222	23	25325.0001	11	28554.0000	39		
22306.0000	5,7,9	25326.0000	37	28694.0000	39		
22397.0001	15	25326.0001	37	29445.1000	35		
22507.0000	7	25328.0000	35	29329.1000	17,19,21		
22510.1000	13	25328.0001	35	32063.0000	15		
22510.1001	13	25328.0003	35	32400.0000	35		
22519.0000	7	25329.0000	35	32400.0001	35		
22520.0000	7	25329.0002	35	32400.0002	31		
22520.0001	7	25347.0000	35	32400.0003	31		
22521.0000	13	25348.0000	37	32530.0000	31		
22522.0000	13	25348.0001	37	32530.0001	31		
22523.0000	13	25348.0002	37	32540.0000	5,9		
22555.0000	7	25348.0003	37	32964.0000	39		
22556.0000	13	25351.0000	5	33088.0000	39		
22557.0000	7	25351.0001	5	33090.0000	39		
22559.0000	7	25351.0002	5	33985.0000	35		
23319.1003	5,9	25352.0000	5,9	34005.0000	35		
23319.1004	5,9	25352.0001	5,9	34023.0000	35		
23320.1002	5,9	25352.0002	5,9	34111.0000	35		
23321.0000	5	25352.0007	5	34130.0000	31		
23493.0000	33	25352.0008	9				
23522.0000	33	25353.0001	11				
23688.0000	33	25353.0002	11				
23696.0000	33	25353.0004	11				
23697.0000	33	25633.0001	11				
23721.0000	23	25633.0002	11				
23768.0000	17,19,21	25657.0000	9				
23769.0000	17	25657.0001	9				
24204.0001	37	25657.0002	9				
24356.0175	25	25658.0000	9				
24356.0222	25	25907.0000	35				
24393.0000	23	25907.0001	35				
24394.0175	23	26216.0000	23				
24394.0222	23	26217.0000	23				
24656.0000	33	26225.0000	5,9				
24805.0000	5	27018.0000	35				
25102.0000	33	27429.0002	35				
25137.0000	5,9	27514.0000	15				
25144.0002	5,9	28173.0000	21				
25144.0003	5,9	28174.0000	21				
25144.0004	5,9	28175.0000	35				
25144.0005	5,9	28176.0000	33				
25144.0010	5,9	28177.0000	33				
25144.0019	5	28179.0000	33				
25144.0023	9	28180.0000	11				
25158.0002	17	28181.0000	5,9				